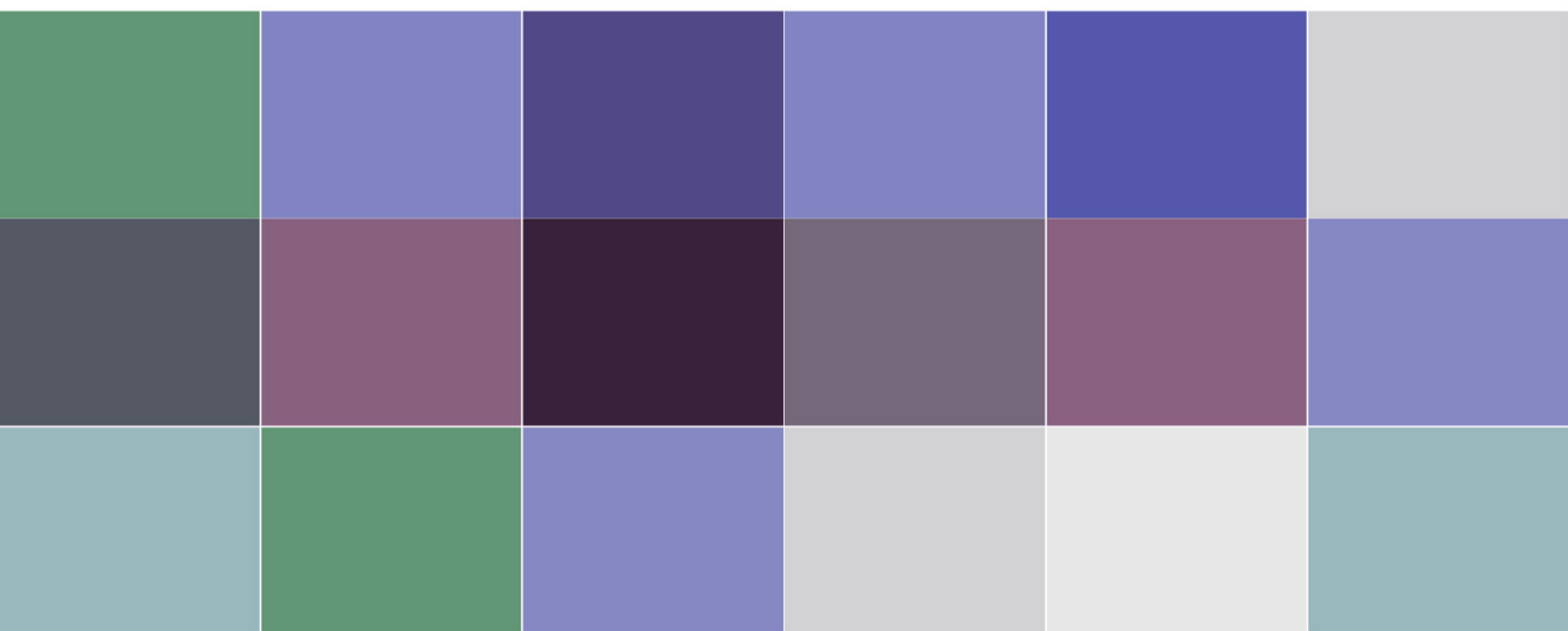


KEDACOM

Video Surveillance Product Manual 2014



KEDACOM



LC2150-AN

1.3MP HD Network IR Bullet Camera



Features

Excellent Image Quality

- 1.3 Megapixel 1/3" Progressive Scan CMOS Sensor
- High definition and smooth picture, 960p@30fps
- H.264 high profile video codec, save up to 30% bandwidth and storage
- Low illumination, 0.01Lux with color picture
- WDR support / 3D noise reduction

Integrated High Efficiency IR

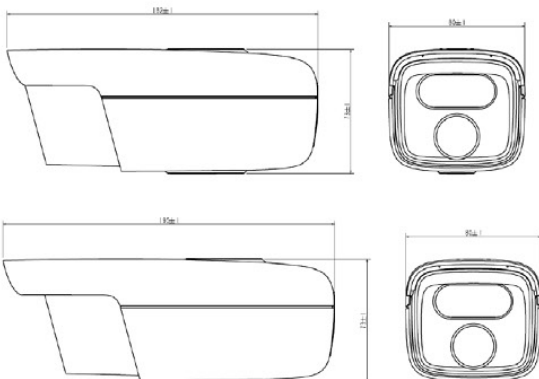
- Industrial IR LED with long operation lifespan
- 30 ~ 50m IR distance
- SMART IR function
- Variety of Installation Application
- Support Image rotation 90°, 180°, 270°

Abundant Functions and Features

- TF card slot, support Automatic Network Replenishment (ANR)
- Dual streams (960p+D1)
- PoE
- IP66

Dimensions

Units: mm



Specifications

	LC2150-AN(-IR2, -IR3, -IR4, -IR5, -IR6)
Camera	
Image Sensor	1/3" Progressive Scan CMOS
Pixels	1.3 Megapixel
Min. Illumination	Color: 0.01Lux @ (F1.6, AGC ON) B/W: 0Lux with IR
Shutter Speed	1/10 ~ 1/10,000S
Day / Night	Auto (ICR) / Color / B/W
Wide Dynamic Range	Digital WDR
S/N Ratio	>50dB
White Balance	Auto / Manual
Gain Control	Auto / Manual
Backlight Compensation	Off / BLC / WDR
Lens	
Mount Type	M12
Focal Length	3.6mm(-IR2) / 6mm(-IR3) / 8mm(-IR4) / 12mm(-IR5) / 16mm(-IR6)
Infrared	
IR LED	1pcs IR LED(-IR2, -IR3, -IR4) 2pcs IR LED(-IR5, -IR6)
IR Distance	30m(-IR2, -IR3, -IR4) 50m(-IR5, -IR6)
IR Intensity	SMART IR
Video	
Compression Format	H.264 / MJPEG
Image Resolution	Main stream: 960p Secondary stream: D1
Frame Rate	Main stream: 960p@30fps Secondary stream: D1@30fps
Bitrate	64kbps ~ 8Mbps
Bitrate Control	VBR / CBR
Dual Streams	Support
Caption	Date&Time / Alarm / Customized groups (Support up to 64 characters)
Privacy Masking	Up to 4 zones
Motion Detection	Up to 4 zones
Video Freeze	Support
Digital Noise Reduction	3D noise reduction
Image Flip	Flip / Mirror / Rotation 90°, 180°, 270°
Network	
Network Protocol	TCP/IP, UDP, HTTP, DHCP, DNS/DDNS, RTP/RTCP, RTSP, PPPoE, FTP, VSIP
User Interface	IPC Control Client / Web IPC Control
Max. User Access	10 Users
Application Program	Onvif, GB/T 28181-2011, API
Alarm	
Alarm Triggers	Motion detection
Alarm Events	Alarm caption / Snapshot
Interfaces	
Ethernet	10/100M, RJ45 interface
Memory Slot	TF card slot, support 32GB
Environmental	
Operating Temperature	-30°C ~ 60°C / -22°F ~ 140°F
Operating Humidity	10% ~ 95%
Protection Level	IP66
Electrical	
Power	12V DC ± 10% / PoE (IEEE802.3af)
Power Consumption	Max. 10W
Mechanical	
Weight	1Kg / 2.2lb (Gross Weight)
Dimensions	182 x 80 x 73mm / 7.16" x 3.15" x 2.87"(-IR2) 195 x 80 x 73mm / 7.68" x 3.15" x 2.87"(-IR3, -IR4, -IR5, -IR6)



LC2150-AN-D

1.3MP HD Network IR Bullet Camera



Features

Excellent Image Quality

- 1.3 Megapixel 1/3" Progressive Scan CMOS Sensor
- High definition and smooth picture, 960p@30fps
- H.264 high profile video codec, save up to 30% bandwidth and storage
- Low illumination, 0.01Lux with color picture
- WDR support / 3D noise reduction

Integrated High Efficiency IR

- Industrial IR LED with long operation lifespan
- 30 ~ 50m IR distance
- SMART IR function

Variety of Installation Application

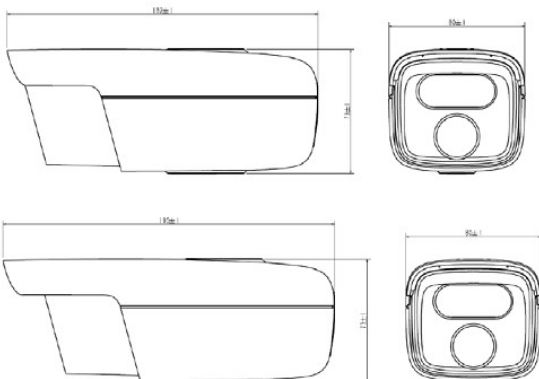
- Support Image rotation 90°, 180°, 270°

Abundant Functions and Features

- TF card slot, support Automatic Network Replenishment (ANR)
- Dual streams (960p+D1)
- IP66

Dimensions

Units: mm



Specifications

	LC2150-AN-D(IR2, IR3, IR4, IR5, IR6)
Camera	
Image Sensor	1/3" Progressive Scan CMOS
Pixels	1.3 Megapixel
Min. Illumination	Color: 0.01Lux @ (F1.6, AGC ON)
Shutter Speed	B/W: 0Lux with IR
Day / Night	1/10 ~ 1/10,000S
Wide Dynamic Range	Auto (ICR) / Color / B/W
S/N Ratio	Digital WDR
White Balance	>50dB
Gain Control	Auto / Manual
Backlight Compensation	Auto / Manual
Lens	
Mount Type	Off / BLC / WDR
Focal Length	M12
Infrared	3.6mm(IR2) / 6mm(IR3) / 8mm(IR4) / 12mm(IR5) / 16mm(IR6)
IR LED	
IR LED	1pcs IR LED(IR2, IR3, IR4) 2pcs IR LED(IR5, IR6)
IR Distance	30m(IR2, IR3, IR4) 50m(IR5, IR6)
IR Intensity	SMART IR
Video	
Compression Format	H.264 / MJPEG
Image Resolution	Main stream: 960p Secondary stream: D1
Frame Rate	Main stream: 960p@30fps Secondary stream: D1@30fps
Bitrate	64kbps ~ 8Mbps
Bitrate Control	VBR / CBR
Dual Streams	Support
Caption	Date&Time / Alarm / Customized groups (Support up to 64 characters)
Privacy Masking	Up to 4 zones
Motion Detection	Up to 4 zones
Video Freeze	Support
Digital Noise Reduction	3D noise reduction
Image Flip	Flip / Mirror / Rotation 90°, 180°, 270°
Network	
Network Protocol	TCP/IP, UDP, HTTP, DHCP, DNS/DDNS, RTP/RTCP, RTSP, PPPoE, FTP, VSIP
User Interface	IPC Control Client / Web IPC Control
Max. User Access	10 Users
Application Program	Onvif, GB/T 28181-2011, API
Alarm	
Alarm Triggers	Motion detection
Alarm Events	Alarm caption / Snapshot
Interfaces	
Ethernet	10/100M, RJ45 interface
Memory Slot	TF card slot, support 32GB
Environmental	
Operating Temperature	-30°C ~ 60°C / -22°F ~ 140°F
Operating Humidity	10% ~ 95%
Protection Level	IP66
Electrical	
Power	12V DC ± 10%
Power Consumption	Max. 10W
Mechanical	
Weight	1Kg / 2.2lb (Gross Weight)
Dimensions	182 x 80 x 73mm / 7.16" x 3.15" x 2.87"(IR2) 195 x 80 x 73mm / 7.68" x 3.15" x 2.87"(IR3, IR4, IR5, IR6)



LC2150-BN-D

1.3MP HD Network IR Bullet Camera



Features

Excellent Image Quality

- 1.3 Megapixel 1/3" Progressive Scan CMOS Sensor
- High definition and smooth picture, 960p@30fps
- Low illumination, 0.01Lux with color picture
- WDR support / 3D noise reduction

Integrated High Efficiency IR

- Industrial IR LED with long operation lifespan
- 30 ~ 50m IR distance
- SMART IR function

Abundant Functions and Features

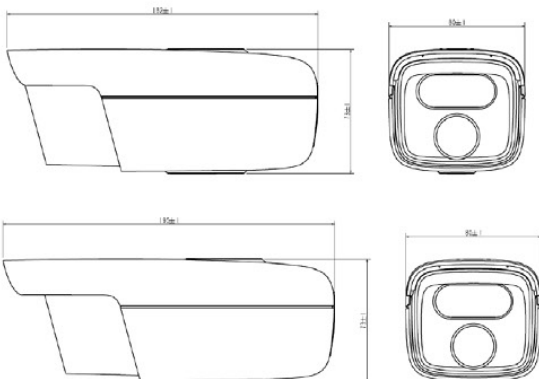
- Dual streams (960p+D1)
- IP66

Specifications

LC2150-BN-D(IR2, IR3, IR4, IR5, IR6)	
Camera	
Image Sensor	1/3" Progressive Scan CMOS
Pixels	1.3 Megapixel
Min. Illumination	Color: 0.01Lux @ (F1.6, AGC ON)
Shutter Speed	B/W: 0Lux with IR
Day / Night	1/10 ~ 1/10,000S
Wide Dynamic Range	Auto (ICR) / Color / B/W
S/N Ratio	Digital WDR
White Balance	>50dB
Gain Control	Auto / Manual
Backlight Compensation	Auto / Manual
Lens	
Mount Type	Off / BLC / WDR
Focal Length	M12
Infrared	3.6mm(IR2) / 6mm(IR3) / 8mm(IR4) / 12mm(IR5) / 16mm(IR6)
IR LED	
IR LED	1pcs IR LED(IR2, IR3, IR4) 2pcs IR LED(IR5, IR6)
IR Distance	30m(IR2, IR3, IR4) 50m(IR5, IR6)
IR Intensity	SMART IR
Video	
Compression Format	H.264
Image Resolution	Main stream: 960p Secondary stream: D1
Frame Rate	Main stream: 960p@30fps Secondary stream: D1@30fps
Bitrate	64kbps ~ 8Mbps
Bitrate Control	VBR / CBR
Dual Streams	Support
Caption	Date&Time / Alarm / Customized groups (Support up to 64 characters)
Privacy Masking	Up to 4 zones
Motion Detection	Up to 4 zones
Video Freeze	Support
Digital Noise Reduction	3D noise reduction
Image Flip	Flip / Mirror
Network	
Network Protocol	TCP/IP, UDP, HTTP, DHCP, DNS/DDNS, RTP/RTCP, RTSP, PPPoE, FTP, VSIP
User Interface	IPC Control Client / Web IPC Control
Max. User Access	10 Users
Application Program	Onvif, GB/T 28181-2011, API
Alarm	
Alarm Triggers	Motion detection
Alarm Events	Alarm caption / Snapshot
Interfaces	
Ethernet	10/100M, RJ45 interface
Environmental	
Operating Temperature	-30°C ~ 60°C / -22°F ~ 140°F
Operating Humidity	10% ~ 95%
Protection Level	IP66
Electrical	
Power	12V DC ± 10%
Power Consumption	Max. 11W
Mechanical	
Weight	1Kg / 2.2lb (Gross Weight)
Dimensions	182 x 80 x 73mm / 7.16" x 3.15" x 2.87"(IR2) 195 x 80 x 73mm / 7.68" x 3.15" x 2.87"(IR3, IR4, IR5, IR6)

Dimensions

Units: mm





LC2250-AN

2.0MP HD Network IR Bullet Camera



Features

Excellent Image Quality

- 2.0 Megapixel 1/2.8" Progressive Scan CMOS Sensor
- High definition and smooth picture, 1080p@30fps
- H.264 high profile video codec, save up to 30% bandwidth and storage
- Low illumination, 0.05Lux with color picture
- WDR support / 3D noise reduction

Integrated High Efficiency IR

- Industrial IR LED with long operation lifespan
- 30 ~ 50m IR distance
- SMART IR function

Variety of Installation Application

- Support Image rotation 90°, 180°, 270°

Abundant Functions and Features

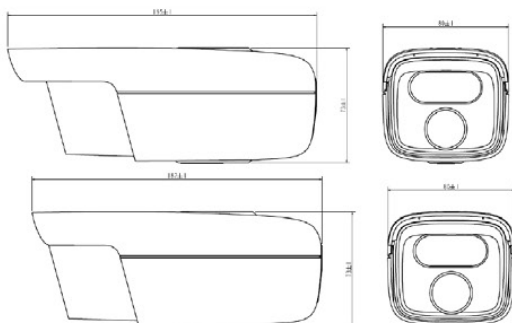
- TF card slot, support Automatic Network Replenishment (ANR)
- Dual streams (1080p+D1)
- PoE
- IP66

Specifications

LC2250-AN(-IR2, -IR3, -IR4, -IR5, -IR6)	
Camera	
Image Sensor	1/2.8" Progressive Scan CMOS
Pixels	2.0 Megapixel
Min. Illumination	Color: 0.05Lux @ (F1.6, AGC ON)
	B/W: 0Lux with IR
Shutter Speed	1/10 ~ 1/10,000S
Day / Night	Auto (ICR) / Color / B/W
Wide Dynamic Range	Digital WDR
S/N Ratio	>50dB
White Balance	Auto / Manual
Gain Control	Auto / Manual
Backlight Compensation	Off / BLC / WDR
Lens	
Mount Type	M12
Focal Length	3.6mm(-IR2) / 6mm(-IR3) / 8mm(-IR4) / 12mm(-IR5) / 16mm(-IR6)
Infrared	
IR LED	1pcs IR LED(-IR2, -IR3, -IR4) 2pcs IR LED(-IR5, -IR6)
IR Distance	30m(-IR2, -IR3, -IR4) 50m(-IR5, -IR6)
IR Intensity	SMART IR
Video	
Compression Format	H.264 / MJPEG
Image Resolution	Main stream: 1080p Secondary stream: D1
Frame Rate	Main stream: 1080p@30fps Secondary stream: D1@30fps
Bitrate	64kbps ~ 8Mbps
Bitrate Control	VBR / CBR
Dual Streams	Support
Caption	Date&Time / Alarm / Customized groups (Support up to 64 characters)
Privacy Masking	Up to 4 zones
Motion Detection	Up to 4 zones
Video Freeze	Support
Digital Noise Reduction	3D noise reduction
Image Flip	Flip / Mirror / Rotation 90°, 180°, 270°
Network	
Network Protocol	TCP/IP, UDP, HTTP, DHCP, DNS/DDNS, RTP/RTCP, RTSP, PPPoE, FTP, VSIP
User Interface	IPC Control Client / Web IPC Control
Max. User Access	10 Users
Application Program	Onvif, GB/T 28181-2011, API
Alarm	
Alarm Triggers	Motion detection
Alarm Events	Alarm caption / Snapshot
Interfaces	
Ethernet	10/100M, RJ45 interface
Memory Slot	TF card slot, support 32GB
Environmental	
Operating Temperature	-30°C ~ 60°C / -22°F ~ 140°F
Operating Humidity	10% ~ 95%
Protection Level	IP66
Electrical	
Power	12V DC ± 10% / PoE (IEEE802.3af)
Power Consumption	Max. 11W
Mechanical	
Weight	1Kg / 2.2lb (Gross Weight)
Dimensions	182 x 80 x 73mm / 7.16" x 3.15" x 2.87"(-IR2) 195 x 80 x 73mm / 7.68" x 3.15" x 2.87"(-IR3, -IR4, -IR5, -IR6)

Dimensions

Units: mm





LC2250-AN-D

2.0MP HD Network IR Bullet Camera



Features

Excellent Image Quality

- 2.0 Megapixel 1/2.8" Progressive Scan CMOS Sensor
- High definition and smooth picture, 1080p@30fps
- H.264 high profile video codec, save up to 30% bandwidth and storage
- Low illumination, 0.05Lux with color picture
- WDR support / 3D noise reduction

Integrated High Efficiency IR

- Industrial IR LED with long operation lifespan
- 30 ~ 50m IR distance
- SMART IR function

Variety of Installation Application

- Support Image rotation 90°, 180°, 270°

Abundant Functions and Features

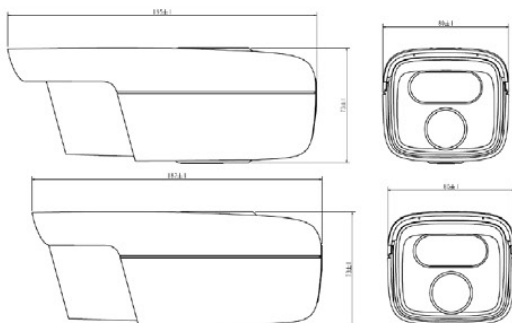
- TF card slot, support Automatic Network Replenishment (ANR)
- Dual streams (1080p+D1)
- IP66

Specifications

	LC2250-AN-D(IR2, IR3, IR4, IR5, IR6)
Camera	
Image Sensor	1/2.8" Progressive Scan CMOS
Pixels	2.0 Megapixel
Min. Illumination	Color: 0.05Lux @ (F1.6, AGC ON)
	B/W: 0Lux with IR
Shutter Speed	1/10 ~ 1/10,000S
Day / Night	Auto (ICR) / Color / B/W
Wide Dynamic Range	Digital WDR
S/N Ratio	>50dB
White Balance	Auto / Manual
Gain Control	Auto / Manual
Backlight Compensation	Off / BLC / WDR
Lens	
Mount Type	M12
Focal Length	3.6mm(IR2) / 6mm(IR3) / 8mm(IR4) / 12mm(IR5) / 16mm(IR6)
Infrared	
IR LED	1pcs IR LED(IR2, IR3, IR4) 2pcs IR LED(IR5, IR6)
IR Distance	30m(IR2, IR3, IR4) 50m(IR5, IR6)
IR Intensity	SMART IR
Video	
Compression Format	H.264 / MJPEG
Image Resolution	Main stream: 1080p Secondary stream: D1
Frame Rate	Main stream: 1080p@30fps Secondary stream: D1@30fps
Bitrate	64kbps ~ 8Mbps
Bitrate Control	VBR / CBR
Dual Streams	Support
Caption	Date&Time / Alarm / Customized groups (Support up to 64 characters)
Privacy Masking	Up to 4 zones
Motion Detection	Up to 4 zones
Video Freeze	Support
Digital Noise Reduction	3D noise reduction
Image Flip	Flip / Mirror / Rotation 90°, 180°, 270°
Network	
Network Protocol	TCP/IP, UDP, HTTP, DHCP, DNS/DDNS, RTP/RTCP, RTSP, PPPoE, FTP, VSIP
User Interface	IPC Control Client / Web IPC Control
Max. User Access	10 Users
Application Program	Onvif, GB/T 28181-2011, API
Alarm	
Alarm Triggers	Motion detection
Alarm Events	Alarm caption / Snapshot
Interfaces	
Ethernet	10/100M, RJ45 interface
Memory Slot	TF card slot, support 32GB
Environmental	
Operating Temperature	-30°C ~ 60°C / -22°F ~ 140°F
Operating Humidity	10% ~ 95%
Protection Level	IP66
Electrical	
Power	12V DC ± 10%
Power Consumption	Max. 11W
Mechanical	
Weight	1Kg / 2.2lb (Gross Weight)
Dimensions	182 x 80 x 73mm / 7.16" x 3.15" x 2.87"(IR2) 195 x 80 x 73mm / 7.68" x 3.15" x 2.87"(IR3, IR4, IR5, IR6)

Dimensions

Units: mm





IPC2150-AN

1.3MP HD Network Varifocal IR Bullet Camera



Features

Excellent Image Quality

- 1.3 Megapixel 1/3" Progressive Scan CMOS Sensor
- High definition and smooth picture, 960p@30fps
- H.264 high profile video codec, save up to 30% bandwidth and storage
- Low illumination, 0.01Lux with color picture
- WDR support / 3D noise reduction / Auto Iris

Integrated High Efficiency IR

- Industrial IR LED with long operation lifespan
- 60 ~ 70m IR distance
- SMART IR function

Variety of Installation Application

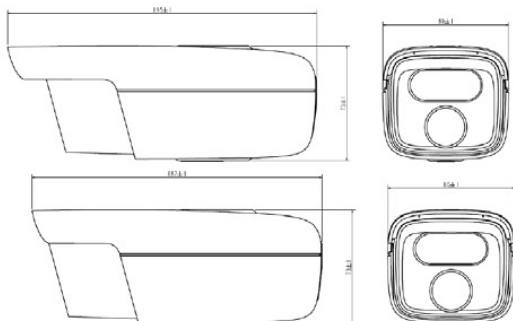
- Support image rotation 90°, 180°, 270°
- Varifocal lens (Manual / Motorized)

Abundant Functions and Features

- TF card slot, support Automatic Network Replenishment (ANR)
- Dual streaming (960p + D1)
- Bi-directional audio / alarm in&out / video out / RS485
- One click auto focus (-IR2 only)
- -40°C ~ 70°C operation temperature
- IP66

Dimensions

Units: mm



Specifications

	IPC2150-AN(-IR1, -IR2)
Camera	
Image Sensor	1/3" Progressive Scan CMOS
Pixels	1.3 Megapixel
Min. Illumination	Color: 0.01Lux @ (F1.4, AGC ON)
Shutter Speed	B/W: 0Lux with IR 1/10 ~ 1/10,000S
Day / Night	Auto (ICR) / Color / B/W
Wide Dynamic Range	Digital WDR
S/N Ratio	>53dB
White Balance	Auto / Manual
Gain Control	Auto / Manual
Backlight Compensation	Off / BLC / WDR
Lens	
Mount Type	Φ14
Auto Iris	DC drive
Focal Length	-IR1: 7 ~ 22mm @ F1.4 manual varifocal lens -IR2: 7 ~ 22mm @ F1.4 motorized varifocal lens
Focus Control	-IR1: Manual -IR2: Manual / Semi-Automatic
Infrared	
IR LED	4pcs IR LED
IR Distance	60 ~ 70m
IR Intensity	SMART IR
Video	
Compression Format	H.264 / MJPEG
Image Resolution	Main stream: 960p Secondary stream: D1
Frame Rate	Main stream: 960p@30fps Secondary stream: D1@30fps
Bitrate	64kbps ~ 8Mbps
Bitrate Control	VBR / CBR
Dual Streams	Support
Caption	Date&Time / Alarm / Customized groups (Support up to 64 characters)
Privacy Masking	Up to 4 zones
Motion Detection	Up to 4 zones
Video Freeze	Support
Digital Noise Reduction	3D noise reduction
Image Flip	Flip / Mirror / Rotation 90°, 180°, 270°
Audio	
Compression Format	G.711a / G.711u / ADPCM / G.722 / AAC-LC
Bitrate	32kbps ~ 64kbps
Audio Function	Bi-directional audio / AEC / Mixed audio recording / Dumb / Mute
Network	
Network Protocol	TCP/IP, UDP, HTTP, DHCP, DNS/DDNS, RTP/RTCP, RTSP, PPPoE, FTP, VSIP
User Interface	IPC Control Client / Web IPC Control
Max. User Access	10 Users
Application Program	Onvif, GB/T 28181-2011, API
Alarm	
Alarm Triggers	Motion detection / Alarm input
Alarm Events	Alarm caption / Snapshot / External output
Interfaces	
Ethernet	10/100M, RJ45 interface
Audio In / Out	1 x Line in / 1 x Line out
Control	1 x RS485
Alarm In / Out	1 x Input / 1 x Output
Video Out	1 x BNC, 1.0V [p-p] / 75Ω
Memory Slot	TF card slot, support 32GB
Environmental	
Operating Temperature	-40°C ~ 70°C / -40°F ~ 158°F
Operating Humidity	10% ~ 95%
Protection level	IP66
Electrical	
Power	24V AC ± 10%
Power Consumption	Max. 25W
Mechanical	
Weight	2.5Kg / 5.5lb (Gross Weight)
Dimensions	288.3 × 141.4 × 110.8mm / 11.35" × 5.57" × 4.36"



IPC2250-AN

2.0MP HD Network Varifocal IR Bullet Camera



Features

Excellent Image Quality

- 2.0 Megapixel 1/2.8" Progressive Scan CMOS Sensor
- High definition and smooth picture, 1080p@30fps
- H.264 high profile video codec, save up to 30% bandwidth and storage
- Low illumination, 0.05Lux with color picture
- WDR support / 3D noise reduction / Auto Iris

Integrated High Efficiency IR

- Industrial IR LED with long operation lifespan
- 60 ~ 70m IR distance
- SMART IR function

Variety of Installation Application

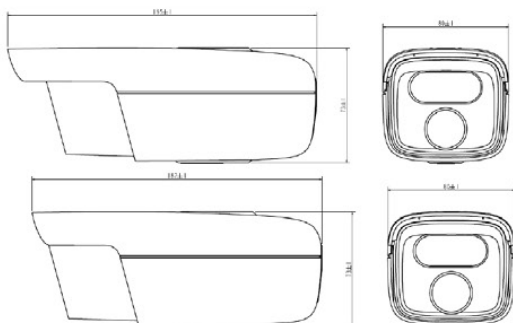
- Support image rotation 90°, 180°, 270°
- Varifocal lens (Manual / Motorized)

Abundant Functions and Features

- TF card slot, support Automatic Network Replenishment (ANR)
- Dual streaming (1080p + D1)
- Bi-directional audio / alarm in&out / video out / RS485
- One click auto focus (-IR2 only)
- -40°C ~ 70°C operation temperature
- IP66

Dimensions

Units: mm



Specifications

	IPC2250-AN(-IR1, -IR2)
Camera	
Image Sensor	1/2.8" Progressive Scan CMOS
Pixels	2.0 Megapixel
Min. Illumination	Color: 0.05Lux @ (F1.4, AGC ON) B/W: 0Lux with IR
Shutter Speed	1/10 ~ 1/10,000S
Day / Night	Auto (ICR) / Color / B/W
Wide Dynamic Range	Digital WDR
S/N Ratio	>52dB
White Balance	Auto / Manual
Gain Control	Auto / Manual
Backlight Compensation	Off / BLC / WDR
Lens	
Mount Type	Φ14
Auto Iris	DC drive
Focal Length	-IR1: 7 ~ 22mm @ F1.4 manual varifocal lens -IR2: 7 ~ 22mm @ F1.4 motorized varifocal lens
Focus Control	-IR1: Manual -IR2: Manual / Semi-Automatic
Infrared	
IR LED	4pcs IR LED
IR Distance	60 ~ 70m
IR Intensity	SMART IR
Video	
Compression Format	H.264 / MJPEG
Image Resolution	Main stream: 1080p Secondary stream: D1
Frame Rate	Main stream: 1080p@30fps Secondary stream: D1@30fps
Bitrate	64kbps ~ 8Mbps
Bitrate Control	VBR / CBR
Dual Streams	Support
Caption	Date&Time / Alarm / Customized groups (Support up to 64 characters)
Privacy Masking	Up to 4 zones
Motion Detection	Up to 4 zones
Video Freeze	Support
Digital Noise Reduction	3D noise reduction
Image Flip	Flip / Mirror / Rotation 90°, 180°, 270°
Audio	
Compression Format	G.711a / G.711u / ADPCM / G.722 / AAC-LC
Bitrate	32kbps ~ 64kbps
Audio Function	Bi-directional audio / AEC / Mixed audio recording / Dumb / Mute
Network	
Network Protocol	TCP/IP, UDP, HTTP, DHCP, DNS/DDNS, RTP/RTCP, RTSP, PPPoE, FTP, VSIP
User Interface	IPC Control Client / Web IPC Control
Max. User Access	10 Users
Application Program	Onvif, GB/T 28181-2011, API
Alarm	
Alarm Triggers	Motion detection / Alarm input
Alarm Events	Alarm caption / Snapshot / External output
Interfaces	
Ethernet	10/100M, RJ45 interface
Audio In / Out	1 x Line in / 1 x Line out
Control	1 x RS485
Alarm In / Out	1 x Input / 1 x Output
Video Out	1 x BNC, 1.0V [p-p] / 75Ω
Memory Slot	TF card slot, support 32GB
Environmental	
Operating Temperature	-40°C ~ 70°C / -40°F ~ 158°F
Operating Humidity	10% ~ 95%
Protection level	IP66
Electrical	
Power	24V AC ± 10%
Power Consumption	Max. 25W
Mechanical	
Weight	2.5Kg / 5.5lb (Gross Weight)
Dimensions	288.3 × 141.4 × 110.8mm / 11.35" × 5.57" × 4.36"



IPC2151-AN/BN

1.3MP HD Network Varifocal IR Bullet Camera



Features

Excellent Image Quality

- 1.3 Megapixel 1/3" Progressive Scan CMOS Sensor
- High definition and smooth picture, 960p@30fps
- H.264 high profile video codec, save up to 30% bandwidth and storage
- Low illumination, 0.01Lux with color picture
- WDR support / 3D noise reduction / Auto Iris

Integrated High Efficiency IR

- Industrial IR LED with long operation lifespan
- 30 ~ 50m IR distance
- SMART IR function

Variety of Installation Application

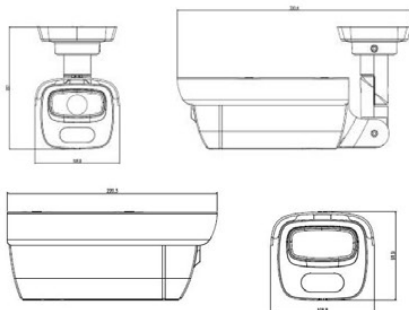
- Support image rotation 90°, 180°, 270°
- Motorized varifocal lens

Abundant Functions and Features

- TF card slot, support Automatic Network Replenishment (ANR)
- Dual streaming (960p + D1)
- Bi-directional audio / alarm in/out / video out / RS485
- One click auto focus
- -40°C ~ 70°C operation temperature
- PoE
- IP66

Dimensions

Units: mm



Specifications

	IPC2151-AN/BN-IR2
Camera	
Image Sensor	1/3" Progressive Scan CMOS
Pixels	1.3 Megapixel
Min. Illumination	Color: 0.01Lux @ (F1.4, AGC ON)
Shutter Speed	B/W: 0Lux with IR
Day / Night	1/10 ~ 1/10,000S
Wide Dynamic Range	Auto (ICR) / Color / B/W
S/N Ratio	Digital WDR
White Balance	>50dB
Gain Control	Auto / Manual
Backlight Compensation	Auto / Manual
Lens	
Mount Type	Off / BLC / WDR
Auto Iris	Φ14
Focal Length	DC drive
Focus Control	2.8 ~ 12mm @ F1.4 motorized varifocal lens
Infrared	
IR LED	Manual / Semi-Automatic
IR Distance	3pcs IR LED
IR Intensity	30 ~ 50m
Video	
Compression Format	SMART IR
Image Resolution	H.264 / MJPEG
Frame Rate	Main stream: 960p
Bitrate	Secondary stream: D1
Bitrate Control	Main stream: 960p@30fps
Dual Streams	Secondary stream: D1@30fps
Caption	64kbps ~ 8Mbps
Privacy Masking	VBR / CBR
Motion Detection	Support
Video Freeze	Support
Digital Noise Reduction	Date&Time / Alarm / Customized groups (Support up to 64 characters)
Image Flip	Up to 4 zones
Audio	Up to 4 zones
Compression Format	Motion Detection
Bitrate	Video Freeze
Audio Function	Support
Network	Digital Noise Reduction
Network Protocol	3D noise reduction
User Interface	Image Flip
Max. User Access	Flip / Mirror / Rotation 90°, 180°, 270°
Application Program	Audio
Alarm	Compression Format
Alarm Triggers	G.711a / G.711u / ADPCM / G.722 / AAC-LC
Alarm Events	Bitrate
Interfaces	32kbps ~ 64kbps
Ethernet	Audio Function
Audio In / Out	Bi-directional audio / AEC / Mixed audio recording / Dumb / Mute
Control	Network
Alarm In / Out	TCP/IP, UDP, HTTP, DHCP, DNS/DDNS, RTP/RTCP, RTSP, PPPoE, FTP, VSIP
Video Out	User Interface
Memory Slot	IPC Control Client / Web IPC Control
Environmental	Max. User Access
Operating Temperature	10 Users
Operating Humidity	Application Program
Protection level	Onvif, GB/T 28181-2011, API
Electrical	Alarm
Power	Alarm Triggers
Power Consumption	Motion detection / Alarm input
Mechanical	Alarm Events
Weight	Alarm caption / Snapshot / External output
Dimensions	Interfaces
Mounting Bracket	Ethernet
	10/100M, RJ45 interface
	Audio In / Out
	1 x Line in / 1 x Line out
	Control
	1 x RS485
	Alarm In / Out
	1 x Input / 1 x Output
	Video Out
	1 x BNC, 1.0V [p-p] / 75Ω
	Memory Slot
	TF card slot, support 32GB
	Environmental
	Operating Temperature
	-40°C ~ 70°C / -40°F ~ 158°F
	Operating Humidity
	10% ~ 95%
	Protection level
	IP66
	Electrical
	Power
	12V DC ± 10% / PoE (IEEE802.3af)
	Power Consumption
	Max. 15W
	Mechanical
	Weight
	-AN: 2.5Kg / 5.5lb (Gross Weight)
	-BN: 2Kg / 4.4lb (Gross Weight)
	Dimensions
	-AN: 300.4 × 108.8 × 157mm / 11.83" × 4.28" × 6.18"
	-BN: 220.3 × 108.8 × 91.9mm / 8.67" × 4.28" × 3.62"
	Mounting Bracket
	-AN: Bracket included
	-BN: Bracket not included



IPC2151-AN/BN-D

1.3MP HD Network Varifocal IR Bullet Camera



Features

Excellent Image Quality

- 1.3 Megapixel 1/3" Progressive Scan CMOS Sensor
- High definition and smooth picture, 960p@30fps
- H.264 high profile video codec, save up to 30% bandwidth and storage
- Low illumination, 0.01Lux with color picture
- WDR support / 3D noise reduction / Auto Iris

Integrated High Efficiency IR

- Industrial IR LED with long operation lifespan
- 30 ~ 50m IR distance
- SMART IR function

Variety of Installation Application

- Support image rotation 90°, 180°, 270°
- Motorized varifocal lens

Abundant Functions and Features

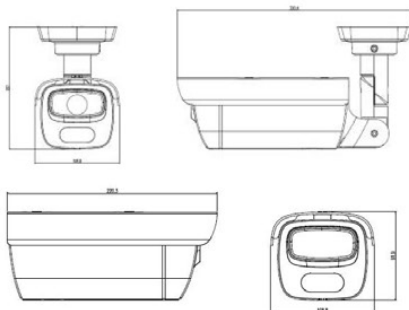
- TF card slot, support Automatic Network Replenishment (ANR)
- Dual streaming (960p + D1)
- One click auto focus
- IP66

Specifications

	IPC2151-AN/BN-DIR2
Camera	
Image Sensor	1/3" Progressive Scan CMOS
Pixels	1.3 Megapixel
Min. Illumination	Color: 0.01Lux @ (F1.4, AGC ON)
Shutter Speed	B/W: 0Lux with IR
Day / Night	1/10 ~ 1/10,000S
Wide Dynamic Range	Auto (ICR) / Color / B/W
S/N Ratio	Digital WDR
White Balance	>50dB
Gain Control	Auto / Manual
Backlight Compensation	Auto / Manual
Lens	Off / BLC / WDR
Mount Type	Φ14
Auto Iris	DC drive
Focal Length	2.8 ~ 12mm @ F1.4 motorized varifocal lens
Focus Control	Manual / Semi-Automatic
Infrared	
IR LED	3pcs IR LED
IR Distance	30 ~ 50m
IR Intensity	SMART IR
Video	
Compression Format	H.264 / MJPEG
Image Resolution	Main stream: 960p
Frame Rate	Secondary stream: D1
Bitrate	Main stream: 960p@30fps
Bitrate Control	Secondary stream: D1@30fps
Dual Streams	64kbps ~ 8Mbps
Caption	VBR / CBR
Privacy Masking	Support
Motion Detection	Date&Time / Alarm / Customized groups (Support up to 64 characters)
Video Freeze	Up to 4 zones
Digital Noise Reduction	Up to 4 zones
Image Flip	Support
Network	3D noise reduction
Network Protocol	Flip / Mirror / Rotation 90°, 180°, 270°
User Interface	TCP/IP, UDP, HTTP, DHCP, DNS/DDNS, RTP/RTCP, RTSP, PPPoE, FTP, VSIP
Max. User Access	IPC Control Client / Web IPC Control
Application Program	10 Users
Alarm	Onvif, GB/T 28181-2011, API
Alarm Triggers	Motion detection / Alarm input
Alarm Events	Alarm caption / Snapshot / External output
Interfaces	
Ethernet	10/100M, RJ45 interface
Memory Slot	TF card slot, support 32GB
Environmental	
Operating Temperature	-20°C ~ 60°C / -4°F ~ 140°F
Operating Humidity	10% ~ 95%
Protection level	IP66
Electrical	
Power	12V DC ± 10%
Power Consumption	Max. 15W
Mechanical	
Weight	-AN: 2.5Kg / 5.5lb (Gross Weight)
	-BN: 2Kg / 4.4lb (Gross Weight)
Dimensions	-AN: 300.4 × 108.8 × 157mm / 11.83" × 4.28" × 6.18"
	-BN: 220.3 × 108.8 × 91.9mm / 8.67" × 4.28" × 3.62"
Mounting Bracket	-AN: Bracket included
	-BN: Bracket not included

Dimensions

Units: mm





IPC2251-AN/BN

2.0MP HD Network Varifocal IR Bullet Camera



Features

Excellent Image Quality

- 2.0 Megapixel 1/2.8" Progressive Scan CMOS Sensor
- High definition and smooth picture, 1080p@30fps
- H.264 high profile video codec, save up to 30% bandwidth and storage
- Low illumination, 0.05Lux with color picture
- WDR support / 3D noise reduction / Auto Iris

Integrated High Efficiency IR

- Industrial IR LED with long operation lifespan
- 30 ~ 50m IR distance
- SMART IR function

Variety of Installation Application

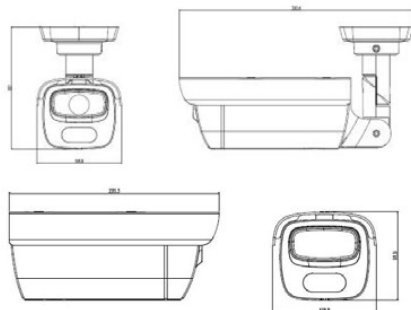
- Support image rotation 90°, 180°, 270°
- Motorized varifocal lens

Abundant Functions and Features

- TF card slot, support Automatic Network Replenishment (ANR)
- Dual streaming (1080p + D1)
- Bi-directional audio / alarm in/out / video out / RS485
- One click auto focus
- -40°C ~ 70°C operation temperature
- PoE
- IP66

Dimensions

Units: mm



Specifications

IPC2251-AN/BN-IR2	
Camera	
Image Sensor	1/2.8" Progressive Scan CMOS
Pixels	2.0 Megapixel
Min. Illumination	Color: 0.05Lux @ (F1.4, AGC ON) B/W: 0Lux with IR
Shutter Speed	1/10 ~ 1/10,000S
Day / Night	Auto (ICR) / Color / B/W
Wide Dynamic Range	Digital WDR
S/N Ratio	>50dB
White Balance	Auto / Manual
Gain Control	Auto / Manual
Backlight Compensation	Off / BLC / WDR
Lens	
Mount Type	Φ14
Auto Iris	DC drive
Focal Length	2.8 ~ 12mm @ F1.4 motorized varifocal lens
Focus Control	Manual / Semi-Automatic
Infrared	
IR LED	3pcs IR LED
IR Distance	30 ~ 50m
IR Intensity	SMART IR
Video	
Compression Format	H.264 / MJPEG
Image Resolution	Main stream: 1080p Secondary stream: D1
Frame Rate	Main stream: 1080p@30fps Secondary stream: D1@30fps
Bitrate	64kbps ~ 8Mbps
Bitrate Control	VBR / CBR
Dual Streams	Support
Caption	Date&Time / Alarm / Customized groups (Support up to 64 characters)
Privacy Masking	Up to 4 zones
Motion Detection	Up to 4 zones
Video Freeze	Support
Digital Noise Reduction	3D noise reduction
Image Flip	Flip / Mirror / Rotation 90°, 180°, 270°
Audio	
Compression Format	G.711a / G.711u / ADPCM / G.722 / AAC-LC
Bitrate	32kbps ~ 64kbps
Audio Function	Bi-directional audio / AEC / Mixed audio recording / Dumb / Mute
Network	
Network Protocol	TCP/IP, UDP, HTTP, DHCP, DNS/DDNS, RTP/RTCP, RTSP, PPPoE, FTP, VSIP
User Interface	IPC Control Client / Web IPC Control
Max. User Access	10 Users
Application Program	Onvif, GB/T 28181-2011, API
Alarm	
Alarm Triggers	Motion detection / Alarm input
Alarm Events	Alarm caption / Snapshot / External output
Interfaces	
Ethernet	10/100M, RJ45 interface
Audio In / Out	1 x Line in / 1 x Line out
Control	1 x RS485
Alarm In / Out	1 x Input / 1 x Output
Video Out	1 x BNC, 1.0V [p-p] / 75Ω
Memory Slot	TF card slot, support 32GB
Environmental	
Operating Temperature	-40°C ~ 70°C / -40°F ~ 158°F
Operating Humidity	10% ~ 95%
Protection level	IP66
Electrical	
Power	12V DC ± 10% / PoE (IEEE802.3af)
Power Consumption	Max. 15W
Mechanical	
Weight	-AN: 2.5Kg / 5.5lb (Gross Weight) -BN: 2Kg / 4.4lb (Gross Weight)
Dimensions	-AN: 300.4 × 108.8 × 157mm / 11.83" x 4.28" x 6.18" -BN: 220.3 × 108.8 × 91.9mm / 8.67" x 4.28" x 3.62"
Mounting Bracket	-AN: Bracket included -BN: Bracket not included



IPC2251-AN/BN-D

2.0MP HD Network Varifocal IR Bullet Camera



Features

Excellent Image Quality

- 2.0 Megapixel 1/2.8" Progressive Scan CMOS Sensor
- High definition and smooth picture, 1080p@30fps
- H.264 high profile video codec, save up to 30% bandwidth and storage
- Low illumination, 0.05Lux with color picture
- WDR support / 3D noise reduction / Auto Iris

Integrated High Efficiency IR

- Industrial IR LED with long operation lifespan
- 30 ~ 50m IR distance
- SMART IR function

Variety of Installation Application

- Support image rotation 90°, 180°, 270°
- Motorized varifocal lens

Abundant Functions and Features

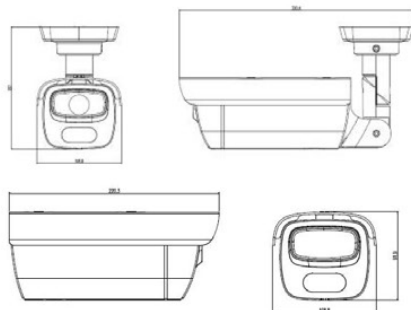
- TF card slot, support Automatic Network Replenishment (ANR)
- Dual streaming (1080p + D1)
- One click auto focus
- IP66

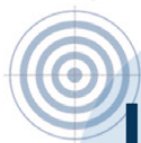
Specifications

IPC 113-DN	
Camera	IPC 113-DN
Image Sensor	1/3" Progressive Scan CMOS
Pixels	1.3 Megapixel
Min. Illumination	Color: 0.01Lux @ (F1.2, AGC ON) B/W: 0.001Lux @ (F1.2, AGC ON)
Shutter Speed	1/10 ~ 1/10,000S
Day / Night	Auto (ICR) / Color / B/W
Wide Dynamic Range	Ultra WDR, 120dB
S/N Ratio	>50dB
White Balance	Auto / Manual
Gain Control	Auto / Manual
Backlight Compensation	Off / BLC / WDR
Lens (not included)	
Mount Type	C / CS
Auto Iris	DC drive
Video	
Compression Format	H.264 / MJPEG
Image Resolution	Main stream: 960p Secondary stream: D1
Frame Rate	Main stream: 960p@60fps Secondary stream: D1@30fps
Bitrate	64kbps ~ 16Mbps
Bitrate Control	VBR / CBR
Multi Streams	Support
Caption	Date&Time / Alarm / Customized groups (Support up to 64 characters)
Privacy Masking	Up to 4 zones
Motion Detection	Up to 4 zones
Video Freeze	Support
Digital Noise Reduction	3D noise reduction
Image Flip	Flip / Mirror / Rotation 90°, 180°, 270°
Audio	
Compression Format	G.711a / G.711u / ADPCM / G.722 / AAC-LC
Bitrate	32kbps ~ 64kbps
Audio Function	Bi-directional audio / AEC / Mixed audio recording / Dumb / Mute
Network	
Network Protocol	TCP/IP, UDP, HTTP, DHCP, DNS/DDNS, RTP/RTCP, RTSP, PPPoE, FTP, VSIP
User Interface	IPC Control Client / Web IPC Control
Max. User Access	10 Users
Application Program	Onvif, GB/T 28181-2011, API
Alarm	
Alarm Triggers	Motion detection / Alarm input
Alarm Events	Alarm caption / Snapshot / External output
Interfaces	
Ethernet	10/100M, RJ45 interface
Audio In / Out	1 x Line in / 1 x Line out
Control	1 x RS485
Alarm In / Out	1 x Input / 1 x Output
Video Out	1 x BNC, 1.0V [p-p] / 75Ω
Memory Slot	TF card slot, support 32GB
Environmental	
Operating Temperature	-30°C ~ 60°C / -22°F ~ 140°F
Operating Humidity	10% ~ 95%
Electrical	
Power	12V DC ± 10% / PoE (IEEE802.3af)
Power Consumption	Max. 6W
Mechanical	
Weight	0.5Kg / 1.1lb (Gross Weight)
Dimensions	147.5 x 68 x 61mm / 5.81" x 2.68" x 2.40"

Dimensions

Units: mm





IPC2152-AN

1.3MP HD Network IR Bullet Camera



Features

Excellent Image Quality

- 1.3 Megapixel 1/3" Progressive Scan CMOS Sensor
- High definition and smooth picture, 960p@30fps
- H.264 high profile video codec, save up to 30% bandwidth and storage
- Low illumination, 0.01Lux with color picture
- WDR support / 3D noise reduction

Integrated High Efficiency IR

- Industrial IR LED with long operation lifespan
- 30 ~ 50m IR distance
- SMART IR function

Variety of Installation Application

- Support Image rotation 90°, 180°, 270°

Abundant Functions and Features

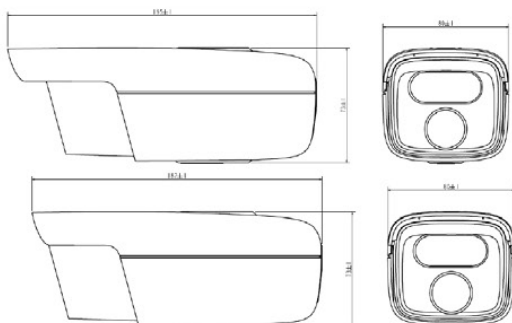
- TF card slot, support Automatic Network Replenishment (ANR)
- Dual streams (960p+D1)
- Bi-directional audio / alarm in&out / video out / RS485
- PoE
- IP66

Specifications

	IPC2152-AN(-IR2, -IR3, -IR4, -IR5, -IR6)
Camera	
Image Sensor	1/3" Progressive Scan CMOS
Pixels	1.3 Megapixel
Min. Illumination	Color: 0.01Lux @ (F1.6, AGC ON) B/W: 0Lux with IR
Shutter Speed	1/10 ~ 1/10,000S
Day / Night	Auto (ICR) / Color / B/W
Wide Dynamic Range	Digital WDR
S/N Ratio	>52dB
White Balance	Auto / Manual
Gain Control	Auto / Manual
Backlight Compensation	Off / BLC / WDR
Lens	
Mount Type	M12
Focal Length	3.6mm(-IR2) / 6mm(-IR3) / 8mm(-IR4) / 12mm(-IR5) / 16mm(-IR6)
Infrared	
IR LED	1pcs IR LED(-IR2, -IR3, -IR4) 2pcs IR LED(-IR5, -IR6)
IR Distance	30m(-IR2, -IR3, -IR4) 50m(-IR5, -IR6)
IR Intensity	SMART IR
Video	
Compression Format	H.264 / MJPEG
Image Resolution	Main stream: 960p Secondary stream: D1
Frame Rate	Main stream: 960p@30fps Secondary stream: D1@30fps
Bitrate	64kbps ~ 8Mbps
Bitrate Control	VBR / CBR
Dual Streams	Support
Caption	Date&Time / Alarm / Customized groups (Support up to 64 characters)
Privacy Masking	Up to 4 zones
Motion Detection	Up to 4 zones
Video Freeze	Support
Digital Noise Reduction	3D noise reduction
Image Flip	Flip / Mirror / Rotation 90°, 180°, 270°
Audio	
Compression Format	G.711a / G.711u / ADPCM / G.722 / AAC-LC
Bitrate	32kbps ~ 64kbps
Audio Function	Bi-directional audio / AEC / Mixed audio recording / Dumb / Mute
Network	
Network Protocol	TCP/IP, UDP, HTTP, DHCP, DNS/DDNS, RTP/RTCP, RTSP, PPPoE, FTP, VSIP
User Interface	IPC Control Client / Web IPC Control
Max. User Access	10 Users
Application Program	Onvif, GB/T 28181-2011, API
Alarm	
Alarm Triggers	Motion detection / Alarm input
Alarm Events	Alarm caption / Snapshot / External output
Interfaces	
Ethernet	10/100M, RJ45 interface
Audio In / Out	1 x Line in / 1 x Line out
Control	1 x RS485
Alarm In / Out	1 x Input / 1 x Output
Video Out	1 x BNC, 1.0V [p-p] / 75Ω
Memory Slot	TF card slot, support 32GB
Environmental	
Operating Temperature	-30°C ~ 60°C / -22°F ~ 140°F
Operating Humidity	10% ~ 95%
Protection Level	IP66
Electrical	
Power	12V DC ± 10% / PoE (IEEE802.3af)
Power Consumption	Max. 11W
Mechanical	
Weight	1Kg / 2.2lb (Gross Weight)
Dimensions	182 x 80 x 73mm / 7.16" x 3.15" x 2.87"(-IR2) 195 x 80 x 73mm / 7.68" x 3.15" x 2.87"(-IR3, -IR4, -IR5, -IR6)

Dimensions

Units: mm





IPC2252-AN

2.0MP HD Network IR Bullet Camera



Features

Excellent Image Quality

- 2.0 Megapixel 1/2.8" Progressive Scan CMOS Sensor
- High definition and smooth picture, 1080p@30fps
- H.264 high profile video codec, save up to 30% bandwidth and storage
- Low illumination, 0.05Lux with color picture
- WDR support / 3D noise reduction

Integrated High Efficiency IR

- Industrial IR LED with long operation lifespan
- 30 ~ 50m IR distance
- SMART IR function

Variety of Installation Application

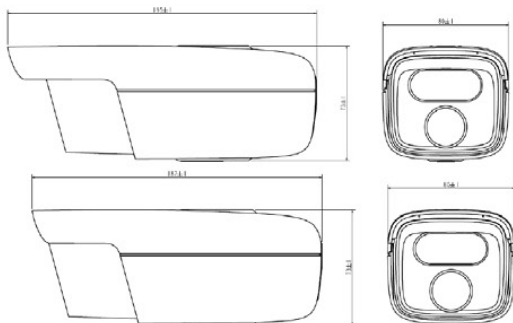
- Support Image rotation 90°, 180°, 270°

Abundant Functions and Features

- TF card slot, support Automatic Network Replenishment (ANR)
- Dual streams (1080p+D1)
- Bi-directional audio / alarm in&out / video out / RS485
- PoE
- IP66

Dimensions

Units: mm



Specifications

	IPC2252-AN(-IR2, -IR3, -IR4, -IR5, -IR6)
Camera	
Image Sensor	1/2.8" Progressive Scan CMOS
Pixels	2.0 Megapixel
Min. Illumination	Color: 0.05Lux @ (F1.6, AGC ON)
Shutter Speed	B/W: 0Lux with IR
Day / Night	1/10 ~ 1/10,000S
Wide Dynamic Range	Auto (ICR) / Color / B/W
S/N Ratio	Digital WDR
White Balance	>52dB
Gain Control	Auto / Manual
Backlight Compensation	Auto / Manual
Lens	Off / BLC / WDR
Mount Type	M12
Focal Length	3.6mm(-IR2) / 6mm(-IR3) / 8mm(-IR4) / 12mm(-IR5) / 16mm(-IR6)
Infrared	
IR LED	1pcs IR LED(-IR2, -IR3, -IR4) 2pcs IR LED(-IR5, -IR6)
IR Distance	30m(-IR2, -IR3, -IR4) 50m(-IR5, -IR6)
IR Intensity	SMART IR
Video	
Compression Format	H.264 / MJPEG
Image Resolution	Main stream: 1080p Secondary stream: D1
Frame Rate	Main stream: 1080p@30fps Secondary stream: D1@30fps
Bitrate	64kbps ~ 8Mbps
Bitrate Control	VBR / CBR
Dual Streams	Support
Caption	Date&Time / Alarm / Customized groups (Support up to 64 characters)
Privacy Masking	Up to 4 zones
Motion Detection	Up to 4 zones
Video Freeze	Support
Digital Noise Reduction	3D noise reduction
Image Flip	Flip / Mirror / Rotation 90°, 180°, 270°
Audio	
Compression Format	G.711a / G.711u / ADPCM / G.722 / AAC-LC
Bitrate	32kbps ~ 64kbps
Audio Function	Bi-directional audio / AEC / Mixed audio recording / Dumb / Mute
Network	
Network Protocol	TCP/IP, UDP, HTTP, DHCP, DNS/DDNS, RTP/RTCP, RTSP, PPPoE, FTP, VSIP
User Interface	IPC Control Client / Web IPC Control
Max. User Access	10 Users
Application Program	Onvif, GB/T 28181-2011, API
Alarm	
Alarm Triggers	Motion detection / Alarm input
Alarm Events	Alarm caption / Snapshot / External output
Interfaces	
Ethernet	10/100M, RJ45 interface
Audio In / Out	1 x Line in / 1 x Line out
Control	1 x RS485
Alarm In / Out	1 x Input / 1 x Output
Video Out	1 x BNC, 1.0V [p-p] / 75Ω
Memory Slot	TF card slot, support 32GB
Environmental	
Operating Temperature	-30°C ~ 60°C / -22°F ~ 140°F
Operating Humidity	10% ~ 95%
Protection Level	IP66
Electrical	
Power	12V DC ± 10% / PoE (IEEE802.3af)
Power Consumption	Max. 11W
Mechanical	
Weight	1Kg / 2.2lb (Gross Weight)
Dimensions	182 x 80 x 73mm / 7.16" x 3.15" x 2.87"(-IR2) 195 x 80 x 73mm / 7.68" x 3.15" x 2.87"(-IR3, -IR4, -IR5, -IR6)



IPC113-AN

1.3MP HD Network Box Camera



Features

Excellent Image Quality

- 1.3 Megapixel 1/3" Progressive Scan CMOS Sensor
- High definition and smooth picture, 960p@30fps
- H.264 high profile video codec, save up to 30% bandwidth and storage
- Low illumination, 0.01Lux with color picture
- WDR support / 3D noise reduction

Variety of Installation Application

- Support Image rotation 90°, 180°, 270°

Abundant Functions and Features

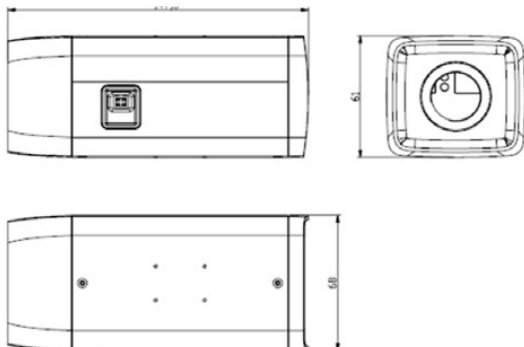
- TF card slot, support Automatic Network Replenishment (ANR)
- Dual streams (960p+D1)
- Bi-directional audio / alarm in&out / video out / RS485
- PoE

Specifications

	IPC 113-AN
Camera	
Image Sensor	1/3" Progressive Scan CMOS
Pixels	1.3 Megapixel
Min. Illumination	Color: 0.01Lux @ (F1.2, AGC ON) B/W: 0.001Lux @ (F1.2, AGC ON)
Shutter Speed	1/10 ~ 1/10,000S
Day / Night	Auto (ICR) / Color / B/W
Wide Dynamic Range	Digital WDR
S/N Ratio	>50dB
White Balance	Auto / Manual
Gain Control	Auto / Manual
Backlight Compensation	Off / BLC / WDR
Lens (not included)	
Mount Type	C / CS
Auto Iris	DC drive
Video	
Compression Format	H.264 / MJPEG
Image Resolution	Main stream: 960p Secondary stream: D1
Frame Rate	Main stream: 960p@30fps Secondary stream: D1@30fps
Bitrate	64kbps ~ 8Mbps
Bitrate Control	VBR / CBR
Dual Streams	Support
Caption	Date&Time / Alarm / Customized groups (Support up to 64 characters)
Privacy Masking	Up to 4 zones
Motion Detection	Up to 4 zones
Video Freeze	Support
Digital Noise Reduction	3D noise reduction
Image Flip	Flip / Mirror / Rotation 90°, 180°, 270°
Audio	
Compression Format	G.711a / G.711u / ADPCM / G.722 / AAC-LC
Bitrate	32kbps ~ 64kbps
Audio Function	Bi-directional audio / AEC / Mixed audio recording / Dumb / Mute
Network	
Network Protocol	TCP/IP, UDP, HTTP, DHCP, DNS/DDNS, RTP/RTCP, RTSP, PPPoE, FTP, VSIP
User Interface	IPC Control Client / Web IPC Control
Max. User Access	10 Users
Application Program	Onvif, GB/T 28181-2011, API
Alarm	
Alarm Triggers	Motion detection / Alarm input
Alarm Events	Alarm caption / Snapshot / External output
Interfaces	
Ethernet	10/100M, RJ45 interface
Audio In / Out	1 x Line in / 1 x Line out
Control	1 x RS485
Alarm In / Out	1 x Input / 1 x Output
Video Out	1 x BNC, 1.0V [p-p] / 75Ω
Memory Slot	TF card slot, support 32GB
Environmental	
Operating Temperature	-30°C ~ 60°C / -22°F ~ 140°F
Operating Humidity	10% ~ 95%
Electrical	
Power	12V DC ± 10% / PoE (IEEE802.3af)
Power Consumption	Max. 6W
Mechanical	
Weight	0.5Kg / 1.1lb (Gross Weight)
Dimensions	147.5 x 68 x 61mm / 5.81" x 2.68" x 2.40"

Dimensions

Units: mm





IPC113-DN

1.3MP Ultra WDR HD Network Box Camera



Features

Excellent Image Quality

- 1.3 Megapixel 1/3" Progressive Scan CMOS Sensor
- High definition and smooth picture, 960p@60fps
- H.264 high profile video codec, save up to 30% bandwidth and storage
- Low illumination, 0.01Lux with color picture
- 120dB Ultra WDR
- 3D noise reduction

Variety of Installation Application

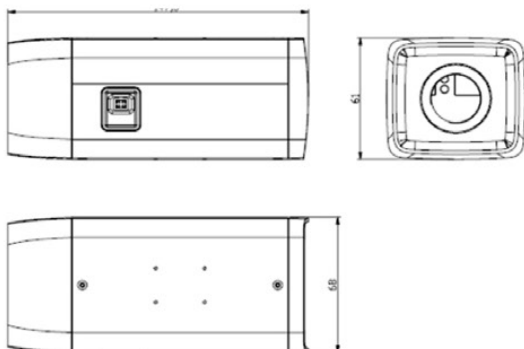
- Support Image rotation 90°, 180°, 270°

Abundant Functions and Features

- TF card slot, support Automatic Network Replenishment (ANR)
- Up to 4 multi streams
- Bi-directional audio / alarm in&out / video out / RS485
- PoE

Dimensions

Units: mm



Specifications

	IPC 113-DN
Camera	
Image Sensor	1/3" Progressive Scan CMOS
Pixels	1.3 Megapixel
Min. Illumination	Color: 0.01Lux @ (F1.2, AGC ON) B/W: 0.001Lux @ (F1.2, AGC ON)
Shutter Speed	1/10 ~ 1/10,000S
Day / Night	Auto (ICR) / Color / B/W
Wide Dynamic Range	Ultra WDR, 120dB
S/N Ratio	>50dB
White Balance	Auto / Manual
Gain Control	Auto / Manual
Backlight Compensation	Off / BLC / WDR
Lens (not included)	
Mount Type	C / CS
Auto Iris	DC drive
Video	
Compression Format	H.264 / MJPEG
Image Resolution	Main stream: 960p Secondary stream: D1
Frame Rate	Main stream: 960p@60fps Secondary stream: D1@30fps
Bitrate	64kbps ~ 16Mbps
Bitrate Control	VBR / CBR
Multi Streams	Support
Caption	Date&Time / Alarm / Customized groups (Support up to 64 characters)
Privacy Masking	Up to 4 zones
Motion Detection	Up to 4 zones
Video Freeze	Support
Digital Noise Reduction	3D noise reduction
Image Flip	Flip / Mirror / Rotation 90°, 180°, 270°
Audio	
Compression Format	G.711a / G.711u / ADPCM / G.722 / AAC-LC
Bitrate	32kbps ~ 64kbps
Audio Function	Bi-directional audio / AEC / Mixed audio recording / Dumb / Mute
Network	
Network Protocol	TCP/IP, UDP, HTTP, DHCP, DNS/DDNS, RTP/RTCP, RTSP, PPPoE, FTP, VSIP
User Interface	IPC Control Client / Web IPC Control
Max. User Access	10 Users
Application Program	Onvif, GB/T 28181-2011, API
Alarm	
Alarm Triggers	Motion detection / Alarm input
Alarm Events	Alarm caption / Snapshot / External output
Interfaces	
Ethernet	10/100M, RJ45 interface
Audio In / Out	1 x Line in / 1 x Line out
Control	1 x RS485
Alarm In / Out	1 x Input / 1 x Output
Video Out	1 x BNC, 1.0V [p-p] / 75Ω
Memory Slot	TF card slot, support 32GB
Environmental	
Operating Temperature	-30°C ~ 60°C / -22°F ~ 140°F
Operating Humidity	10% ~ 95%
Electrical	
Power	12V DC ± 10% / PoE (IEEE802.3af)
Power Consumption	Max. 6W
Mechanical	
Weight	0.5Kg / 1.1lb (Gross Weight)
Dimensions	147.5 x 68 x 61mm / 5.81" x 2.68" x 2.40"



IPC123-AN

2.0MP HD Network Box Camera



Features

Excellent Image Quality

- 2.0 Megapixel 1/2.8" Progressive Scan CMOS Sensor
- High definition and smooth picture, 1080p@30fps
- H.264 high profile video codec, save up to 30% bandwidth and storage
- Low illumination, 0.03Lux with color picture
- WDR support / 3D noise reduction

Variety of Installation Application

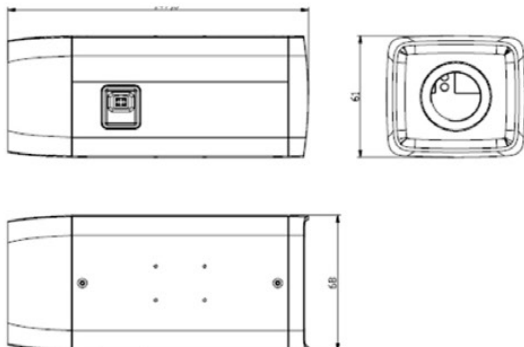
- Support Image rotation 90°, 180°, 270°

Abundant Functions and Features

- TF card slot, support Automatic Network Replenishment (ANR)
- Dual streams (1080p+D1)
- Bi-directional audio / alarm in&out / video out / RS485
- PoE

Dimensions

Units: mm



Specifications

IPC 123-AN	
Camera	
Image Sensor	1/2.8" Progressive Scan CMOS
Pixels	2.0 Megapixel
Min. Illumination	Color: 0.03Lux @ (F1.2, AGC ON) B/W: 0.003Lux @ (F1.2, AGC ON)
Shutter Speed	1/10 ~ 1/10,000S
Day / Night	Auto (ICR) / Color / B/W
Wide Dynamic Range	Digital WDR
S/N Ratio	>52dB
White Balance	Auto / Manual
Gain Control	Auto / Manual
Backlight Compensation	Off / BLC / WDR
Lens (not included)	
Mount Type	C / CS
Auto Iris	DC drive
Video	
Compression Format	H.264 / MJPEG
Image Resolution	Main stream: 1080p Secondary stream: D1
Frame Rate	Main stream: 1080p@30fps Secondary stream: D1@30fps
Bitrate	64kbps ~ 8Mbps
Bitrate Control	VBR / CBR
Dual Streams	Support
Caption	Date&Time / Alarm / Customized groups (Support up to 64 characters)
Privacy Masking	Up to 4 zones
Motion Detection	Up to 4 zones
Video Freeze	Support
Digital Noise Reduction	3D noise reduction
Image Flip	Flip / Mirror / Rotation 90°, 180°, 270°
Audio	
Compression Format	G.711a / G.711u / ADPCM / G.722 / AAC-LC
Bitrate	32kbps ~ 64kbps
Audio Function	Bi-directional audio / AEC / Mixed audio recording / Dumb / Mute
Network	
Network Protocol	TCP/IP, UDP, HTTP, DHCP, DNS/DDNS, RTP/RTCP, RTSP, PPPoE, FTP, VSIP
User Interface	IPC Control Client / Web IPC Control
Max. User Access	10 Users
Application Program	Onvif, GB/T 28181-2011, API
Alarm	
Alarm Triggers	Motion detection / Alarm input
Alarm Events	Alarm caption / Snapshot / External output
Interfaces	
Ethernet	10/100M, RJ45 interface
Audio In / Out	1 x Line in / 1 x Line out
Control	1 x RS485
Alarm In / Out	1 x Input / 1 x Output
Video Out	1 x BNC, 1.0V [p-p] / 75Ω
Memory Slot	TF card slot, support 32GB
Environmental	
Operating Temperature	-30°C ~ 60°C / -22°F ~ 140°F
Operating Humidity	10% ~ 95%
Electrical	
Power	12V DC ± 10% / PoE (IEEE802.3af)
Power Consumption	Max. 6W
Mechanical	
Weight	0.5Kg / 1.1lb (Gross Weight)
Dimensions	147.5 x 68 x 61mm / 5.81" x 2.68" x 2.40"



IPC123-DN

2.0MP Ultra WDR HD Network Box Camera



Features

Excellent Image Quality

- 2.0 Megapixel 1/3" Progressive Scan CMOS Sensor
- High definition and smooth picture, 1080p@60fps
- H.264 high profile video codec, save up to 30% bandwidth and storage
- Low illumination, 0.03Lux with color picture
- 120dB Ultra WDR
- 3D noise reduction

Variety of Installation Application

- Support Image rotation 90°, 180°, 270°

Abundant Functions and Features

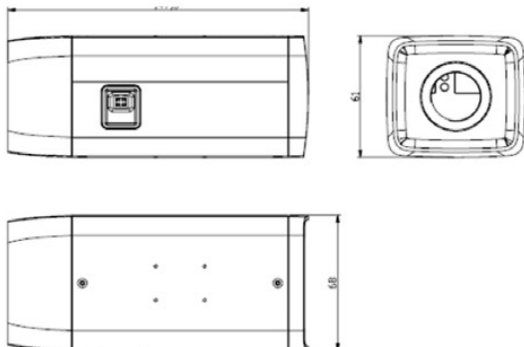
- TF card slot, support Automatic Network Replenishment (ANR)
- Up to 4 multi streams
- Bi-directional audio / alarm in&out / video out / RS485
- PoE

Specifications

	IPC 123-DN
Camera	
Image Sensor	1/3" Progressive Scan CMOS
Pixels	2.0 Megapixel
Min. Illumination	Color: 0.03Lux @ (F1.2, AGC ON) B/W: 0.003Lux @ (F1.2, AGC ON)
Shutter Speed	1/10 ~ 1/10,000S
Day / Night	Auto (ICR) / Color / B/W
Wide Dynamic Range	Ultra WDR, 120dB
S/N Ratio	>52dB
White Balance	Auto / Manual
Gain Control	Auto / Manual
Backlight Compensation	Off / BLC / WDR
Lens (not included)	
Mount Type	C / CS
Auto Iris	DC drive
Video	
Compression Format	H.264 / MJPEG
Image Resolution	Main stream: 1080p Secondary stream: D1
Frame Rate	Main stream: 1080p@60fps Secondary stream: D1@30fps
Bitrate	64kbps ~ 16Mbps
Bitrate Control	VBR / CBR
Multi Streams	Support
Caption	Date&Time / Alarm / Customized groups (Support up to 64 characters)
Privacy Masking	Up to 4 zones
Motion Detection	Up to 4 zones
Video Freeze	Support
Digital Noise Reduction	3D noise reduction
Image Flip	Flip / Mirror / Rotation 90°, 180°, 270°
Audio	
Compression Format	G.711a / G.711u / ADPCM / G.722 / AAC-LC
Bitrate	32kbps ~ 64kbps
Audio Function	Bi-directional audio / AEC / Mixed audio recording / Dumb / Mute
Network	
Network Protocol	TCP/IP, UDP, HTTP, DHCP, DNS/DDNS, RTP/RTCP, RTSP, PPPoE, FTP, VSIP
User Interface	IPC Control Client / Web IPC Control
Max. User Access	10 Users
Application Program	Onvif, GB/T 28181-2011, API
Alarm	
Alarm Triggers	Motion detection / Alarm input
Alarm Events	Alarm caption / Snapshot / External output
Interfaces	
Ethernet	10/100M, RJ45 interface
Audio In / Out	1 x Line in / 1 x Line out
Control	1 x RS485
Alarm In / Out	1 x Input / 1 x Output
Video Out	1 x BNC, 1.0V [p-p] / 75Ω
Memory Slot	TF card slot, support 32GB
Environmental	
Operating Temperature	-30°C ~ 60°C / -22°F ~ 140°F
Operating Humidity	10% ~ 95%
Electrical	
Power	12V DC ± 10% / PoE (IEEE802.3af)
Power Consumption	Max. 6W
Mechanical	
Weight	0.5Kg / 1.1lb (Gross Weight)
Dimensions	147.5 x 68 x 61mm / 5.81" x 2.68" x 2.40"

Dimensions

Units: mm





IPC123-EN

2.0MP Starlight HD Network Box Camera



Features

Excellent Image Quality

- 2.0 Megapixel 1/1.9" Progressive Scan CMOS Sensor
- High definition and smooth picture, 1080p@60fps
- H.264 high profile video codec, save up to 30% bandwidth and storage
- Ultra low illumination, 0.002Lux with color picture
- WDR support / 3D noise reduction

Variety of Installation Application

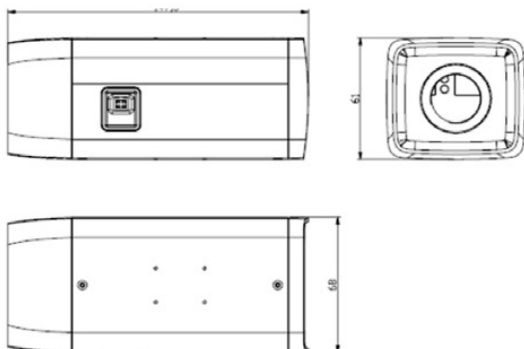
- Support Image rotation 90°, 180°, 270°

Abundant Functions and Features

- TF card slot, support Automatic Network Replenishment (ANR)
- Up to 4 multi streams
- Bi-directional audio / alarm in&out / video out / RS485
- PoE

Dimensions

Units: mm



Specifications

IPC 123-EN	
Camera	
Image Sensor	1/1.9" Progressive Scan CMOS
Pixels	2.0 Megapixel
Min. Illumination	Color: 0.002Lux @ (F1.2, AGC ON) B/W: 0.0002Lux @ (F1.2, AGC ON)
Shutter Speed	1/10 ~ 1/10,000S
Day / Night	Auto (ICR) / Color / B/W
Wide Dynamic Range	Digital WDR
S/N Ratio	>52dB
White Balance	Auto / Manual
Gain Control	Auto / Manual
Backlight Compensation	Off / BLC / WDR
Lens (not included)	
Mount Type	C / CS
Auto Iris	DC drive
Video	
Compression Format	H.264 / MJPEG
Image Resolution	Main stream: 1080p Secondary stream: D1
Frame Rate	Main stream: 1080p@60fps Secondary stream: D1@30fps
Bitrate	64kbps ~ 16Mbps
Bitrate Control	VBR / CBR
Multi Streams	Support
Caption	Date&Time / Alarm / Customized groups (Support up to 64 characters)
Privacy Masking	Up to 4 zones
Motion Detection	Up to 4 zones
Video Freeze	Support
Digital Noise Reduction	3D noise reduction
Image Flip	Flip / Mirror / Rotation 90°, 180°, 270°
Audio	
Compression Format	G.711a / G.711u / ADPCM / G.722 / AAC-LC
Bitrate	32kbps ~ 64kbps
Audio Function	Bi-directional audio / AEC / Mixed audio recording / Dumb / Mute
Network	
Network Protocol	TCP/IP, UDP, HTTP, DHCP, DNS/DDNS, RTP/RTCP, RTSP, PPPoE, FTP, VSIP
User Interface	IPC Control Client / Web IPC Control
Max. User Access	10 Users
Application Program	Onvif, GB/T 28181-2011, API
Alarm	
Alarm Triggers	Motion detection / Alarm input
Alarm Events	Alarm caption / Snapshot / External output
Interfaces	
Ethernet	10/100M, RJ45 interface
Audio In / Out	1 x Line in / 1 x Line out
Control	1 x RS485
Alarm In / Out	1 x Input / 1 x Output
Video Out	1 x BNC, 1.0V [p-p] / 75Ω
Memory Slot	TF card slot, support 32GB
Environmental	
Operating Temperature	-30°C ~ 60°C / -22°F ~ 140°F
Operating Humidity	10% ~ 95%
Electrical	
Power	12V DC ± 10% / PoE (IEEE802.3af)
Power Consumption	Max. 6W
Mechanical	
Weight	0.5Kg / 1.1lb (Gross Weight)
Dimensions	147.5 x 68 x 61mm / 5.81" x 2.68" x 2.40"