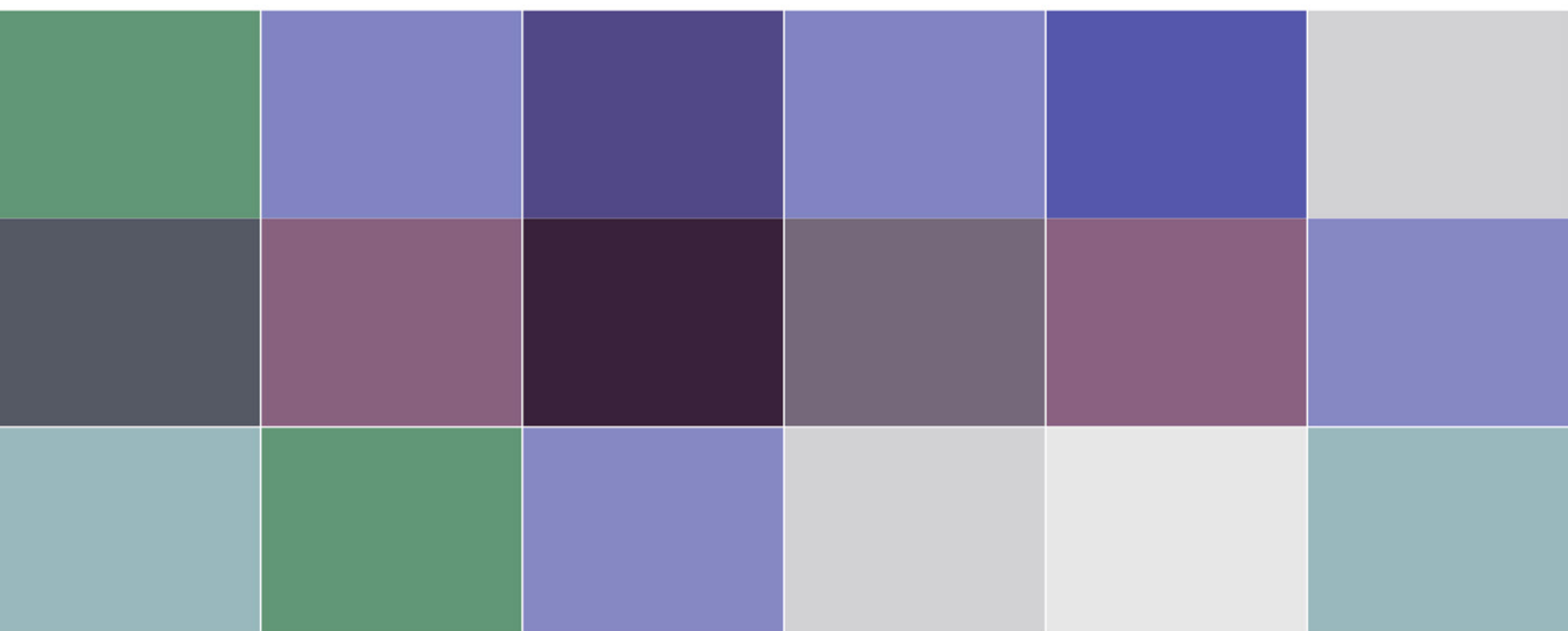


KEDACOM

Video Surveillance Product Manual 2014



KEDACOM



LC211-A-L

1.3MP HD Network Mini Semi Dome



Features

Excellent Image Quality

- 1.3 Megapixel 1/3" Progressive Scan CMOS Sensor
- High definition and smooth picture, 960p@30fps
- H.264 high profile video codec, save up to 30% bandwidth and storage
- Low illumination, 0.01Lux with color picture
- WDR support / 3D noise reduction

Mini size

- 0.5Kg / 1.1lb
- $\Phi 96 \times 61\text{mm} / \Phi 3.78" \times 2.4"$

Abundant Functions and Features

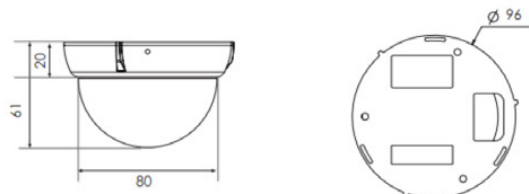
- TF card slot, support Automatic Network Replenishment (ANR)
- Dual streams (960p+D1)
- PoE
- IK10

Specifications

	LC211-A(-L0, -L1, -L2, -L3, -L4)
Camera	
Image Sensor	1/3" Progressive Scan CMOS
Pixels	1.3 Megapixel
Min. Illumination	Color: 0.01Lux @ (F1.6, AGC ON) B/W: 0.001Lux @ (F1.6, AGC ON)
Shutter Speed	1/10 ~ 1/10,000S
Day / Night	Auto (ICR) / Color / B/W
Wide Dynamic Range	Digital WDR
S/N Ratio	>52dB
White Balance	Auto / Manual
Gain Control	Auto / Manual
Backlight Compensation	Off / BLC / WDR
Lens	
Mount Type	M12
Focal Length	2.1mm(-L0) / 2.8mm(-L1) / 3.6mm(-L2) / 6mm(-L3) / 8mm(-L4)
Adjustment Range	Pan: -35° ~ 35° / Tilt: 0° ~ 70°
Video	
Compression Format	H.264
Image Resolution	Main stream: 960p Secondary stream: D1
Frame Rate	Main stream: 960p@30fps Secondary stream: D1@30fps
Bitrate	64kbps ~ 8Mbps
Bitrate Control	VBR / CBR
Dual Streams	Support
Caption	Date&Time / Alarm / Customized groups (Support up to 64 characters)
Privacy Masking	Up to 4 zones
Motion Detection	Up to 4 zones
Video Freeze	Support
Digital Noise Reduction	3D noise reduction
Image Flip	Flip / Mirror
Network	
Network Protocol	TCP/IP, UDP, HTTP, DHCP, DNS/DDNS, RTP/RTCP, RTSP, PPPoE, FTP, VSIP
User Interface	IPC Control Client / Web IPC Control
Max. User Access	10 Users
Application Program	Onvif, GB/T 28181-2011, API
Alarm	
Alarm Triggers	Motion detection
Alarm Events	Alarm caption / Snapshot
Interfaces	
Ethernet	10/100M, RJ45 interface
Memory Slot	TF card slot, support 32GB
Environmental	
Operating Temperature	-20°C ~ 60°C / -4°F ~ 140°F
Operating Humidity	10% ~ 95%
Protection Level	IK10
Electrical	
Power	12V DC \pm 10% / PoE (IEEE802.3af)
Power Consumption	Max. 7W
Mechanical	
Weight	0.5Kg / 1.1lb (Gross Weight)
Dimensions	$\Phi 96 \times 61\text{mm} / \Phi 3.78" \times 2.4"$

Dimensions

Units: mm





LC211-A-IR

1.3MP HD Network Mini IR Semi Dome



Features

Excellent Image Quality

- 1.3 Megapixel 1/3" Progressive Scan CMOS Sensor
- High definition and smooth picture, 960p@30fps
- H.264 high profile video codec, save up to 30% bandwidth and storage
- Low illumination, 0.01Lux with color picture
- WDR support / 3D noise reduction

Mini size

- 0.5Kg / 1.1lb
- $\Phi 96 \times 61\text{mm} / \Phi 3.78" \times 2.4"$

Abundant Functions and Features

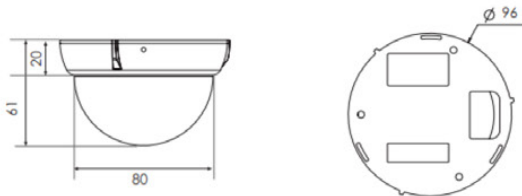
- TF card slot, support Automatic Network Replenishment (ANR)
- Dual streams (960p+D1)
- 7 ~ 15m IR distance
- PoE
- IK10

Specifications

	LC211-A(-IR2, -IR3, -IR4)
Camera	LC211-A(-IR2, -IR3, -IR4)
Image Sensor	1/3" Progressive Scan CMOS
Pixels	1.3 Megapixel
Min. Illumination	Color: 0.01Lux @ (F1.6, AGC ON) B/W: 0Lux with IR
Shutter Speed	1/10 ~ 1/10,000S
Day / Night	Auto (ICR) / Color / B/W
Wide Dynamic Range	Digital WDR
S/N Ratio	>52dB
White Balance	Auto / Manual
Gain Control	Auto / Manual
Backlight Compensation	Off / BLC / WDR
Lens	
Mount Type	M12
Focal Length	3.6mm(-IR2) / 6mm(-IR3) / 8mm(-IR4)
Adjustment Range	Pan: -35° ~ 35° / Tilt: 0° ~ 70°
Infrared	
IR LED	10pcs IR LED
IR Distance	7 ~ 15m
Video	
Compression Format	H.264
Image Resolution	Main stream: 960p Secondary stream: D1
Frame Rate	Main stream: 960p@30fps Secondary stream: D1@30fps
Bitrate	64kbps ~ 8Mbps
Bitrate Control	VBR / CBR
Dual Streams	Support
Caption	Date&Time / Alarm / Customized groups (Support up to 64 characters)
Privacy Masking	Up to 4 zones
Motion Detection	Up to 4 zones
Video Freeze	Support
Digital Noise Reduction	3D noise reduction
Image Flip	Flip / Mirror
Network	
Network Protocol	TCP/IP, UDP, HTTP, DHCP, DNS/DDNS, RTP/RTCP, RTSP, PPPoE, FTP, VSIP
User Interface	IPC Control Client / Web IPC Control
Max. User Access	10 Users
Application Program	Onvif, GB/T 28181-2011, API
Alarm	
Alarm Triggers	Motion detection
Alarm Events	Alarm caption / Snapshot
Interfaces	
Ethernet	10/100M, RJ45 interface
Memory Slot	TF card slot, support 32GB
Environmental	
Operating Temperature	-20°C ~ 60°C / -4°F ~ 140°F
Operating Humidity	10% ~ 95%
Protection Level	IK10
Electrical	
Power	12V DC \pm 10% / PoE (IEEE802.3af)
Power Consumption	Max. 7W
Mechanical	
Weight	0.5Kg / 1.1lb (Gross Weight)
Dimensions	$\Phi 96 \times 61\text{mm} / \Phi 3.78" \times 2.4"$

Dimensions

Units: mm





LC2240-AN

2.0MP HD Network Mini IR Semi Dome



Features

Excellent Image Quality

- 2.0 Megapixel 1/2.8" Progressive Scan CMOS Sensor
- High definition and smooth picture, 1080p@30fps
- H.264 high profile video codec, save up to 30% bandwidth and storage
- Low illumination, 0.05Lux with color picture
- WDR support / 3D noise reduction

Mini size

- 0.5Kg / 1.1lb
- $\Phi 96 \times 61\text{mm} / \Phi 3.78" \times 2.4"$

Abundant Functions and Features

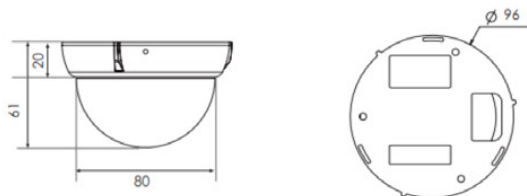
- TF card slot, support Automatic Network Replenishment (ANR)
- Dual streams (1080p+D1)
- 7 ~ 15m IR distance
- PoE
- IK10

Specifications

	LC2240-AN(-IR2, -IR3, -IR4)
Camera	
Image Sensor	1/2.8" Progressive Scan CMOS
Pixels	2.0 Megapixel
Min. Illumination	Color: 0.05Lux @ (F1.6, AGC ON) B/W: 0Lux with IR
Shutter Speed	1/10 ~ 1/10,000S
Day / Night	Auto (ICR) / Color / B/W
Wide Dynamic Range	Digital WDR
S/N Ratio	>52dB
White Balance	Auto / Manual
Gain Control	Auto / Manual
Backlight Compensation	Off / BLC / WDR
Lens	
Mount Type	M12
Focal Length	3.6mm(-IR2) / 6mm(-IR3) / 8mm(-IR4)
Adjustment Range	Pan: -35° ~ 35° / Tilt: 0° ~ 70°
Infrared	
IR LED	10pcs IR LED
IR Distance	7 ~ 15m
Video	
Compression Format	H.264
Image Resolution	Main stream: 1080p Secondary stream: D1
Frame Rate	Main stream: 1080p@30fps Secondary stream: D1@30fps
Bitrate	64kbps ~ 8Mbps
Bitrate Control	VBR / CBR
Dual Streams	Support
Caption	Date&Time / Alarm / Customized groups (Support up to 64 characters)
Privacy Masking	Up to 4 zones
Motion Detection	Up to 4 zones
Video Freeze	Support
Digital Noise Reduction	3D noise reduction
Image Flip	Flip / Mirror
Network	
Network Protocol	TCP/IP, UDP, HTTP, DHCP, DNS/DDNS, RTP/RTCP, RTSP, PPPoE, FTP, VSIP
User Interface	IPC Control Client / Web IPC Control
Max. User Access	10 Users
Application Program	Onvif, GB/T 28181-2011, API
Alarm	
Alarm Triggers	Motion detection
Alarm Events	Alarm caption / Snapshot
Interfaces	
Ethernet	10/100M, RJ45 interface
Memory Slot	TF card slot, support 32GB
Environmental	
Operating Temperature	-20°C ~ 60°C / -4°F ~ 140°F
Operating Humidity	10% ~ 95%
Protection Level	IK10
Electrical	
Power	12V DC \pm 10% / PoE (IEEE802.3af)
Power Consumption	Max. 7W
Mechanical	
Weight	0.5Kg / 1.1lb (Gross Weight)
Dimensions	$\Phi 96 \times 61\text{mm} / \Phi 3.78" \times 2.4"$

Dimensions

Units: mm





LC2110-AN

1.3MP HD Network IR Semi Dome



Features

Excellent Image Quality

- 1.3 Megapixel 1/3" Progressive Scan CMOS Sensor
- High definition and smooth picture, 960p@30fps
- H.264 high profile video codec, save up to 30% bandwidth and storage
- Low illumination, 0.01Lux with color picture
- WDR support / 3D noise reduction

Integrated High Efficiency IR

- Industrial IR LED with long operation lifespan
- 30m IR distance
- SMART IR function

Variety of Installation Application

- Support Image rotation 90°, 180°, 270°

Abundant Functions and Features

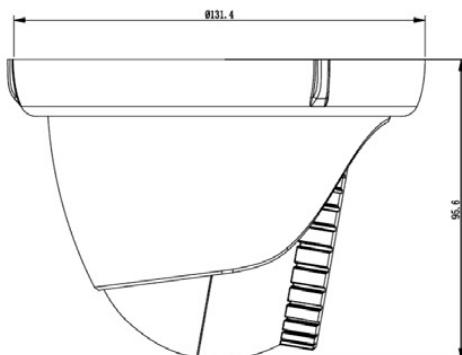
- TF card slot, support Automatic Network Replenishment (ANR)
- Dual streams (960p+D1)
- PoE
- IP66

Specifications

	LC2110-AN(-IR1, -IR2, -IR3, -IR4, -IR5)
Camera	
Image Sensor	1/3" Progressive Scan CMOS
Pixels	1.3 Megapixel
Min. Illumination	Color: 0.01Lux @ (F1.6, AGC ON) B/W: 0Lux with IR
Shutter Speed	1/10 ~ 1/10,000S
Day / Night	Auto (ICR) / Color / B/W
Wide Dynamic Range	Digital WDR
S/N Ratio	>50dB
White Balance	Auto / Manual
Gain Control	Auto / Manual
Backlight Compensation	Off / BLC / WDR
Lens	
Mount Type	M12
Focal Length	2.8mm(-IR1) / 3.6mm(-IR2) / 6mm(-IR3) / 8mm(-IR4) / 12mm(-IR5)
Adjustment Range	Pan: 0° ~ 360° / Tilt: 0° ~ 85° / Rotation: 0° ~ 360°
Infrared	
IR LED	1pcs IR LED
IR Distance	30m
IR Intensity	SMART IR
Video	
Compression Format	H.264 / MJPEG
Image Resolution	Main stream: 960p Secondary stream: D1
Frame Rate	Main stream: 960p@30fps Secondary stream: D1@30fps
Bitrate	64kbps ~ 8Mbps
Bitrate Control	VBR / CBR
Dual Streams	Support
Caption	Date&Time / Alarm / Customized groups (Support up to 64 characters)
Privacy Masking	Up to 4 zones
Motion Detection	Up to 4 zones
Video Freeze	Support
Digital Noise Reduction	3D noise reduction
Image Flip	Flip / Mirror / Rotation 90°, 180°, 270°
Network	
Network Protocol	TCP/IP, UDP, HTTP, DHCP, DNS/DDNS, RTP/RTCP, RTSP, PPPoE, FTP, VSIP
User Interface	IPC Control Client / Web IPC Control
Max. User Access	10 Users
Application Program	Onvif, GB/T 28181-2011, API
Alarm	
Alarm Triggers	Motion detection
Alarm Events	Alarm caption / Snapshot
Interfaces	
Ethernet	10/100M, RJ45 interface
Memory Slot	TF card slot, support 32GB
Environmental	
Operating Temperature	-30°C ~ 60°C / -22°F ~ 140°F
Operating Humidity	10% ~ 95%
Protection Level	IP66
Electrical	
Power	12V DC ± 10% / PoE (IEEE802.3af)
Power Consumption	Max. 10W
Mechanical	
Weight	1Kg / 2.2lb (Gross Weight)
Dimensions	Φ131.4 × 95.6mm / Φ5.17" × 3.76"

Dimensions

Units: mm





LC2110-AN-D

1.3MP HD Network IR Semi Dome



Features

Excellent Image Quality

- 1.3 Megapixel 1/3" Progressive Scan CMOS Sensor
- High definition and smooth picture, 960p@30fps
- H.264 high profile video codec, save up to 30% bandwidth and storage
- Low illumination, 0.01Lux with color picture
- WDR support / 3D noise reduction

Integrated High Efficiency IR

- Industrial IR LED with long operation lifespan
- 30m IR distance
- SMART IR function

Variety of Installation Application

- Support Image rotation 90°, 180°, 270°

Abundant Functions and Features

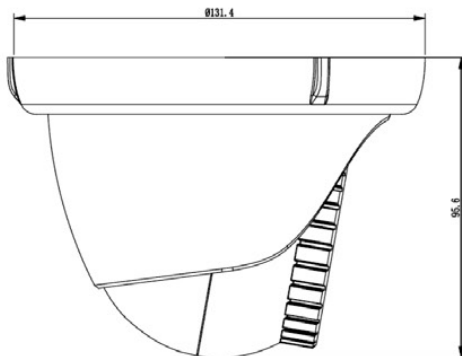
- TF card slot, support Automatic Network Replenishment (ANR)
- Dual streams (960p+D1)
- IP66

Specifications

	LC2110-AN-D(IR1, IR2, IR3, IR4, IR5)
Camera	
Image Sensor	1/3" Progressive Scan CMOS
Pixels	1.3 Megapixel
Min. Illumination	Color: 0.01Lux @ (F1.6, AGC ON) B/W: 0Lux with IR
Shutter Speed	1/10 ~ 1/10,000S
Day / Night	Auto (ICR) / Color / B/W
Wide Dynamic Range	Digital WDR
S/N Ratio	>50dB
White Balance	Auto / Manual
Gain Control	Auto / Manual
Backlight Compensation	Off / BLC / WDR
Lens	
Mount Type	M12
Focal Length	2.8mm(IR1) / 3.6mm(IR2) / 6mm(IR3) / 8mm(IR4) / 12mm(IR5)
Adjustment Range	Pan: 0° ~ 360° / Tilt: 0° ~ 85° / Rotation: 0° ~ 360°
Infrared	
IR LED	1pcs IR LED
IR Distance	30m
IR Intensity	SMART IR
Video	
Compression Format	H.264 / MJPEG
Image Resolution	Main stream: 960p Secondary stream: D1
Frame Rate	Main stream: 960p@30fps Secondary stream: D1@30fps
Bitrate	64kbps ~ 8Mbps
Bitrate Control	VBR / CBR
Dual Streams	Support
Caption	Date&Time / Alarm / Customized groups (Support up to 64 characters)
Privacy Masking	Up to 4 zones
Motion Detection	Up to 4 zones
Video Freeze	Support
Digital Noise Reduction	3D noise reduction
Image Flip	Flip / Mirror / Rotation 90°, 180°, 270°
Network	
Network Protocol	TCP/IP, UDP, HTTP, DHCP, DNS/DDNS, RTP/RTCP, RTSP, PPPoE, FTP, VSIP
User Interface	IPC Control Client / Web IPC Control
Max. User Access	10 Users
Application Program	Onvif, GB/T 28181-2011, API
Alarm	
Alarm Triggers	Motion detection
Alarm Events	Alarm caption / Snapshot
Interfaces	
Ethernet	10/100M, RJ45 interface
Memory Slot	TF card slot, support 32GB
Environmental	
Operating Temperature	-30°C ~ 60°C / -22°F ~ 140°F
Operating Humidity	10% ~ 95%
Protection Level	IP66
Electrical	
Power	12V DC ± 10%
Power Consumption	Max. 10W
Mechanical	
Weight	1Kg / 2.2lb (Gross Weight)
Dimensions	Φ131.4 × 95.6mm / Φ5.17" x 3.76"

Dimensions

Units: mm





LC2110-BN-D

1.3MP HD Network IR Semi Dome



Features

Excellent Image Quality

- 1.3 Megapixel 1/3" Progressive Scan CMOS Sensor
- High definition and smooth picture, 960p@30fps
- Low illumination, 0.01Lux with color picture
- WDR support / 3D noise reduction

Integrated High Efficiency IR

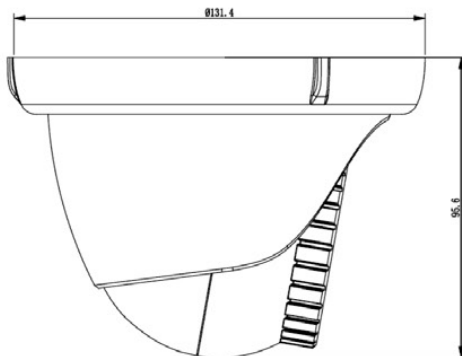
- Industrial IR LED with long operation lifespan
- 30m IR distance
- SMART IR function

Abundant Functions and Features

- Dual streams (960p+D1)
- IP66

Dimensions

Units: mm



Specifications

	LC2110-BN-D(IR1, IR2, IR3, IR4, IR5)
Camera	
Image Sensor	1/3" Progressive Scan CMOS
Pixels	1.3 Megapixel
Min. Illumination	Color: 0.01Lux @ (F1.6, AGC ON) B/W: 0Lux with IR
Shutter Speed	1/10 ~ 1/10,000S
Day / Night	Auto (ICR) / Color / B/W
Wide Dynamic Range	Digital WDR
S/N Ratio	>50dB
White Balance	Auto / Manual
Gain Control	Auto / Manual
Backlight Compensation	Off / BLC / WDR
Lens	
Mount Type	M12
Focal Length	2.8mm(IR1) / 3.6mm(IR2) / 6mm(IR3) / 8mm(IR4) / 12mm(IR5)
Adjustment Range	Pan: 0° ~ 360° / Tilt: 0° ~ 85° / Rotation: 0° ~ 360°
Infrared	
IR LED	1pcs IR LED
IR Distance	30m
IR Intensity	SMART IR
Video	
Compression Format	H.264
Image Resolution	Main stream: 960p Secondary stream: D1
Frame Rate	Main stream: 960p@30fps Secondary stream: D1@30fps
Bitrate	64kbps ~ 8Mbps
Bitrate Control	VBR / CBR
Dual Streams	Support
Caption	Date&Time / Alarm / Customized groups (Support up to 64 characters)
Privacy Masking	Up to 4 zones
Motion Detection	Up to 4 zones
Video Freeze	Support
Digital Noise Reduction	3D noise reduction
Image Flip	Flip / Mirror
Network	
Network Protocol	TCP/IP, UDP, HTTP, DHCP, DNS/DDNS, RTP/RTCP, RTSP, PPPoE, FTP, VSIP
User Interface	IPC Control Client / Web IPC Control
Max. User Access	10 Users
Application Program	Onvif, GB/T 28181-2011, API
Alarm	
Alarm Triggers	Motion detection
Alarm Events	Alarm caption / Snapshot
Interfaces	
Ethernet	10/100M, RJ45 interface
Environmental	
Operating Temperature	-30°C ~ 60°C / -22°F ~ 140°F
Operating Humidity	10% ~ 95%
Protection Level	IP66
Electrical	
Power	12V DC ± 10%
Power Consumption	Max. 11W
Mechanical	
Weight	1Kg / 2.2lb (Gross Weight)
Dimensions	Φ131.4 × 96.6mm / Φ5.17" x 3.76"



LC2210-AN

2.0MP HD Network IR Semi Dome



Features

Excellent Image Quality

- 2.0 Megapixel 1/2.8" Progressive Scan CMOS Sensor
- High definition and smooth picture, 1080p@30fps
- H.264 high profile video codec, save up to 30% bandwidth and storage
- Low illumination, 0.05Lux with color picture
- WDR support / 3D noise reduction

Integrated High Efficiency IR

- Industrial IR LED with long operation lifespan
- 30m IR distance
- SMART IR function

Variety of Installation Application

- Support Image rotation 90°, 180°, 270°

Abundant Functions and Features

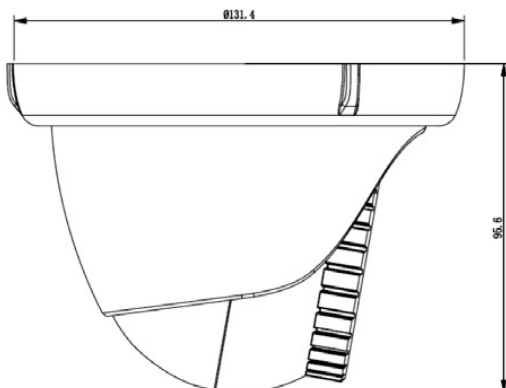
- TF card slot, support Automatic Network Replenishment (ANR)
- Dual streams (1080p+D1)
- PoE
- IP66

Specifications

	LC2210-AN(-IR1, -IR2, -IR3, -IR4, -IR5)
Camera	
Image Sensor	1/2.8" Progressive Scan CMOS
Pixels	2.0 Megapixel
Min. Illumination	Color: 0.05Lux @ (F1.6, AGC ON) B/W: 0Lux with IR
Shutter Speed	1/10 ~ 1/10,000S
Day / Night	Auto (ICR) / Color / B/W
Wide Dynamic Range	Digital WDR
S/N Ratio	>50dB
White Balance	Auto / Manual
Gain Control	Auto / Manual
Backlight Compensation	Off / BLC / WDR
Lens	
Mount Type	M12
Focal Length	2.8mm(-IR1) / 3.6mm(-IR2) / 6mm(-IR3) / 8mm(-IR4) / 12mm(-IR5)
Adjustment Range	Pan: 0° ~ 360° / Tilt: 0° ~ 85° / Rotation: 0° ~ 360°
Infrared	
IR LED	1pcs IR LED
IR Distance	30m
IR Intensity	SMART IR
Video	
Compression Format	H.264 / MJPEG
Image Resolution	Main stream: 1080p Secondary stream: D1
Frame Rate	Main stream: 1080p@30fps Secondary stream: D1@30fps
Bitrate	64kbps ~ 8Mbps
Bitrate Control	VBR / CBR
Dual Streams	Support
Caption	Date&Time / Alarm / Customized groups (Support up to 64 characters)
Privacy Masking	Up to 4 zones
Motion Detection	Up to 4 zones
Video Freeze	Support
Digital Noise Reduction	3D noise reduction
Image Flip	Flip / Mirror / Rotation 90°, 180°, 270°
Network	
Network Protocol	TCP/IP, UDP, HTTP, DHCP, DNS/DDNS, RTP/RTCP, RTSP, PPPoE, FTP, VSIP
User Interface	IPC Control Client / Web IPC Control
Max. User Access	10 Users
Application Program	Onvif, GB/T 28181-2011, API
Alarm	
Alarm Triggers	Motion detection
Alarm Events	Alarm caption / Snapshot
Interfaces	
Ethernet	10/100M, RJ45 interface
Memory slot	TF card slot, support 32GB
Environmental	
Operating Temperature	-30°C ~ 60°C / -22°F ~ 140°F
Operating Humidity	10% ~ 95%
Protection level	IP66
Electrical	
Power	12V DC ± 10% / PoE (IEEE802.3af)
Power Consumption	Max. 11W
Mechanical	
Weight	1Kg / 2.2lb (Gross Weight)
Dimensions	Φ131.4 × 95.6mm / Φ5.17" × 3.76"

Dimensions

Units: mm





LC2210-AN-D

2.0MP HD Network IR Semi Dome



Features

Excellent Image Quality

- 2.0 Megapixel 1/2.8" Progressive Scan CMOS Sensor
- High definition and smooth picture, 1080p@30fps
- H.264 high profile video codec, save up to 30% bandwidth and storage
- Low illumination, 0.05Lux with color picture
- WDR support / 3D noise reduction

Integrated High Efficiency IR

- Industrial IR LED with long operation lifespan
- 30m IR distance
- SMART IR function

Variety of Installation Application

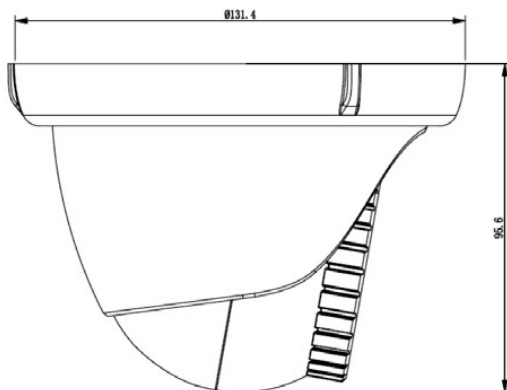
- Support Image rotation 90°, 180°, 270°

Abundant Functions and Features

- TF card slot, support Automatic Network Replenishment (ANR)
- Dual streams (1080p+D1)
- IP66

Dimensions

Units: mm



Specifications

	LC2210-AN-D(IR1, IR2, IR3, IR4, IR5)
Camera	
Image Sensor	1/2.8" Progressive Scan CMOS
Pixels	2.0 Megapixel
Min. Illumination	Color: 0.05Lux @ (F1.6, AGC ON)
Shutter Speed	B/W: 0Lux with IR
Day / Night	1/10 ~ 1/10,000S
Wide Dynamic Range	Auto (ICR) / Color / B/W
S/N Ratio	Digital WDR
White Balance	>50dB
Gain Control	Auto / Manual
Backlight Compensation	Auto / Manual
Lens	
Mount Type	Off / BLC / WDR
Focal Length	M12
Adjustment Range	2.8mm(IR1) / 3.6mm(IR2) / 6mm(IR3) / 8mm(IR4) / 12mm(IR5)
Infrared	Pan: 0° ~ 360° / Tilt: 0° ~ 85° / Rotation: 0° ~ 360°
IR LED	1pcs IR LED
IR Distance	30m
IR Intensity	SMART IR
Video	
Compression Format	H.264 / MJPEG
Image Resolution	Main stream: 1080p
Frame Rate	Secondary stream: D1
Bitrate	Main stream: 1080p@30fps
Bitrate Control	Secondary stream: D1@30fps
Dual Streams	64kbps ~ 8Mbps
Caption	VBR / CBR
Privacy Masking	Support
Motion Detection	Date&Time / Alarm / Customized groups (Support up to 64 characters)
Video Freeze	Up to 4 zones
Digital Noise Reduction	Up to 4 zones
Image Flip	Support
Network	3D noise reduction
Network Protocol	Flip / Mirror / Rotation 90°, 180°, 270°
User Interface	TCP/IP, UDP, HTTP, DHCP, DNS/DDNS, RTP/RTCP, RTSP, PPPoE, FTP, VSIP
Max. User Access	IPC Control Client / Web IPC Control
Application Program	10 Users
Alarm	Onvif, GB/T 28181-2011, API
Alarm Triggers	Motion detection
Alarm Events	Alarm caption / Snapshot
Interfaces	
Ethernet	10/100M, RJ45 interface
Memory slot	TF card slot, support 32GB
Environmental	
Operating Temperature	-30°C ~ 60°C / -22°F ~ 140°F
Operating Humidity	10% ~ 95%
Protection level	IP66
Electrical	
Power	12V DC ± 10%
Power Consumption	Max. 11W
Mechanical	
Weight	1Kg / 2.2lb (Gross Weight)
Dimensions	Φ131.4 × 95.6mm / Φ5.17" × 3.76"



IPC2131-AN-L

1.3MP HD Network Vandal-Proof Semi Dome



Features

Excellent Image Quality

- 1.3 Megapixel 1/3" Progressive Scan CMOS Sensor
- High definition and smooth picture, 960p@30fps
- H.264 high profile video codec, save up to 30% bandwidth and storage
- Low illumination, 0.01Lux with color picture
- WDR support / 3D noise reduction / Auto Iris (-L1, -L2 only)

Vandal-Proof

- Above IK10 @ 50J collision energy

Variety of Installation Application

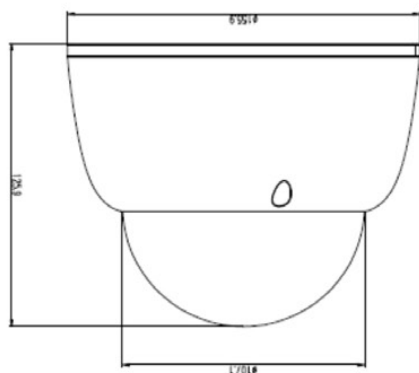
- Support image rotation 90°, 180°, 270°
- Varifocal lens (-L1, -L2 only)

Abundant Functions and Features

- TF card slot, support Automatic Network Replenishment (ANR)
- Dual streaming (960p + D1)
- Bi-directional audio / alarm in&out / video out / RS485
- One click auto focus (-L2 only)
- PoE
- IP67

Dimensions

Units: mm



Specifications

	IPC2131-AN(-L1, -L2, -L3, -L4)
Camera	
Image Sensor	1/3" Progressive Scan CMOS
Pixels	1.3 Megapixel
Min. Illumination	Color: 0.01Lux @ (F1.2, AGC ON) B/W: 0.001Lux @ (F1.2, AGC ON)
Shutter Speed	1/10 ~ 1/10,000S
Day / Night	Auto (ICR) / Color / B/W
Wide Dynamic Range	Digital WDR
S/N Ratio	>50dB
White Balance	Auto / Manual
Gain Control	Auto / Manual
Backlight Compensation	Off / BLC / WDR
Lens	
Mount Type	-L1, -L2: Φ14 -L3: CS -L4: M12
Iris	-L1, -L2: Auto Iris (DC drive) -L3: Manual Iris -L4: Fixed Iris
Focal Length	-L1: 2.7 ~ 9mm @ F1.2 manual varifocal lens -L2: 2.7 ~ 9mm @ F1.2 motorized varifocal lens -L3: 2.2mm -L4: 2.0mm
Focus Control	-L1: Manual -L2: Manual / Semi-Automatic
Adjustment Range	Pan: 0° ~ 355° / Tilt: 0° ~ 75° / Rotation: 0° ~ 355°
Video	
Compression Format	H.264 / MJPEG
Image Resolution	Main stream: 960p Secondary stream: D1
Frame Rate	Main stream: 960p@30fps Secondary stream: D1@30fps
Bitrate	64kbps ~ 8Mbps
Bitrate Control	VBR / CBR
Dual Streams	Support
Caption	Date&Time / Alarm / Customized groups (Support up to 64 characters)
Privacy Masking	Up to 4 zones
Motion Detection	Up to 4 zones
Video Freeze	Support
Digital Noise Reduction	3D noise reduction
Image Flip	Flip / Mirror / Rotation 90°, 180°, 270°
Audio	
Compression Format	G.711a / G.711u / ADPCM / G.722 / AAC-LC
Bitrate	32kbps ~ 64kbps
Audio Function	Bi-directional audio / AEC / Mixed audio recording / Dumb / Mute
Network	
Network Protocol	TCP/IP, UDP, HTTP, DHCP, DNS/DDNS, RTP/RTCP, RTSP, PPPoE, FTP, VSIP
User Interface	IPC Control Client / Web IPC Control
Max. User Access	10 Users
Application Program	Onvif, GB/T 28181-2011, API
Alarm	
Alarm Triggers	Motion detection / Alarm input
Alarm Events	Alarm caption / Snapshot / External output
Interfaces	
Ethernet	10/100M, RJ45 interface
Audio In / Out	1 x Line in / 1 x Line out
Control	1 x RS485
Alarm In / Out	1 x Input / 1 x Output
Video Out	1 x BNC, 1.0V [p-p] / 75Ω
Memory Slot	TF card slot, support 32GB
Environmental	
Operating Temperature	-30°C ~ 60°C / -22°F ~ 140°F
Operating Humidity	10% ~ 95%
Protection Level	IK10+ @50J, IP67
Electrical	
Power	12V DC ± 10% / PoE (IEEE802.3af)
Power Consumption	Max. 10W
Mechanical	
Weight	1Kg / 2.2lb (Gross Weight)
Dimensions	Φ155.9 × 125.9mm / Φ6.14" × 4.96"



IPC2131-AN-IR

1.3MP HD Network Vandal-Proof Varifocal IR Semi Dome



Features

Excellent Image Quality

- 1.3 Megapixel 1/3" Progressive Scan CMOS Sensor
- High definition and smooth picture, 960p@30fps
- H.264 high profile video codec, save up to 30% bandwidth and storage
- Low illumination, 0.01Lux with color picture
- WDR support / 3D noise reduction / Auto Iris

Vandal-Proof

- Above IK10 @ 50J collision energy

Integrated High Efficiency IR

- Industrial IR LED with long operation lifespan
- 20 ~ 40m IR distance
- SMART IR function

Variety of Installation Application

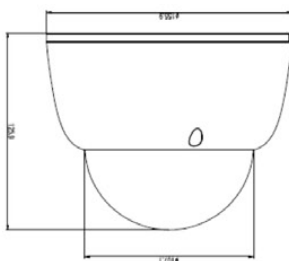
- Support image rotation 90°, 180°, 270°
- Varifocal lens (Manual / Motorized)

Abundant Functions and Features

- TF card slot, support Automatic Network Replenishment (ANR)
- Dual streaming (960p + D1)
- Bi-directional audio / alarm in&out / video out / RS485
- One click auto focus (-IR2 only)
- PoE
- IP67

Dimensions

Units: mm



Specifications

	IPC2131-AN(-IR1, -IR2)
Camera	
Image Sensor	1/3" Progressive Scan CMOS
Pixels	1.3 Megapixel
Min. Illumination	Color: 0.01Lux @ (F1.2, AGC ON) B/W: 0Lux with IR
Shutter Speed	1/10 ~ 1/10,000S
Day / Night	Auto (ICR) / Color / B/W
Wide Dynamic Range	Digital WDR
S/N Ratio	>50dB
White Balance	Auto / Manual
Gain Control	Auto / Manual
Backlight Compensation	Off / BLC / WDR
Lens	
Mount Type	Φ14
Auto Iris	DC drive
Focal Length	-IR1: 2.7 ~ 9mm @ F1.2 manual varifocal lens -IR2: 2.7 ~ 9mm @ F1.2 motorized varifocal lens
Focus Control	-IR1: Manual -IR2: Manual / Semi-Automatic
Adjustment Range	Pan: 0° ~ 355° / Tilt: 0° ~ 75° / Rotation: 0° ~ 355°
Infrared	
IR LED	26pcs IR LED
IR Distance	20 ~ 40m
IR Intensity	SMART IR
Video	
Compression Format	H.264 / MJPEG
Image Resolution	Main stream: 960p Secondary stream: D1
Frame Rate	Main stream: 960p@30fps Secondary stream: D1@30fps
Bitrate	64kbps ~ 8Mbps
Bitrate Control	VBR / CBR
Dual Streams	Support
Caption	Date&Time / Alarm / Customized groups (Support up to 64 characters)
Privacy Masking	Up to 4 zones
Motion Detection	Up to 4 zones
Video Freeze	Support
Digital Noise Reduction	3D noise reduction
Image Flip	Flip / Mirror / Rotation 90°, 180°, 270°
Audio	
Compression Format	G.711a / G.711u / ADPCM / G.722 / AAC-LC
Bitrate	32kbps ~ 64kbps
Audio Function	Bi-directional audio / AEC / Mixed audio recording / Dumb / Mute
Network	
Network Protocol	TCP/IP, UDP, HTTP, DHCP, DNS/DDNS, RTP/RTCP, RTSP, PPPoE, FTP, VSIP
User Interface	IPC Control Client / Web IPC Control
Max. User Access	10 Users
Application Program	Onvif, GB/T 28181-2011, API
Alarm	
Alarm Triggers	Motion detection / Alarm input
Alarm Events	Alarm caption / Snapshot / External output
Interfaces	
Ethernet	10/100M, RJ45 interface
Audio In / Out	1 x Line in / 1 x Line out
Control	1 x RS485
Alarm In / Out	1 x Input / 1 x Output
Video Out	1 x BNC, 1.0V [p-p] / 75Ω
Memory Slot	TF card slot, support 32GB
Environmental	
Operating Temperature	-30°C ~ 60°C / -22°F ~ 140°F
Operating Humidity	10% ~ 95%
Protection Level	IK10+ @50J, IP67
Electrical	
Power	12V DC ± 10% / PoE (IEEE802.3af)
Power Consumption	Max. 10W
Mechanical	
Weight	1Kg / 2.2lb (Gross Weight)
Dimensions	Φ155.9 × 125.9mm / Φ6.14" × 4.96"



IPC2131-DN-L

1.3MP Ultra WDR HD Network Vandal-Proof Semi Dome



Features

Excellent Image Quality

- 1.3 Megapixel 1/3" Progressive Scan CMOS Sensor
- High definition and smooth picture, 960p@60fps
- H.264 high profile video codec, save up to 30% bandwidth and storage
- Low illumination, 0.01Lux with color picture
- 120dB Ultra WDR
- 3D noise reduction / Auto Iris (-L1, -L2 only)

Vandal-Proof

- Above IK10 @ 50J collision energy

Variety of Installation Application

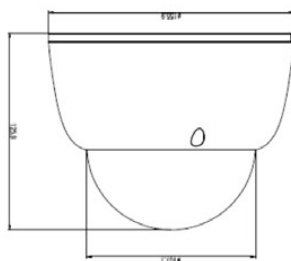
- Support image rotation 90°, 180°, 270°
- Varifocal lens (-L1, -L2 only)

Abundant Functions and Features

- TF card slot, support Automatic Network Replenishment (ANR)
- Up to 4 multi streams
- Bi-directional audio / alarm in/out / video out / RS485
- One click auto focus (-L2 only)
- PoE
- IP67

Dimensions

Units: mm



Specifications

	IPC2131-DN(-L1, -L2, -L3, -L4)
Camera	
Image Sensor	1/3" Progressive Scan CMOS
Pixels	1.3 Megapixel
Min. Illumination	Color: 0.01Lux @ (F1.2, AGC ON) B/W: 0.001Lux @ (F1.2, AGC ON)
Shutter Speed	1/10 ~ 1/10,000S
Day / Night	Auto (ICR) / Color / B/W
Wide Dynamic Range	Ultra WDR, 120dB
S/N Ratio	>50dB
White Balance	Auto / Manual
Gain Control	Auto / Manual
Backlight Compensation	Off / BLC / WDR
Lens	
Mount Type	-L1, -L2: Φ14 -L3: CS -L4: M12
Iris	-L1, -L2: Auto Iris (DC drive) -L3: Manual Iris -L4: Fixed Iris
Focal Length	-L1: 2.7 ~ 9mm @ F1.2 manual varifocal lens -L2: 2.7 ~ 9mm @ F1.2 motorized varifocal lens -L3: 2.2mm -L4: 2.0mm
Focus Control	-L1: Manual -L2: Manual / Semi-Automatic
Adjustment Range	Pan: 0° ~ 355° / Tilt: 0° ~ 75° / Rotation: 0° ~ 355°
Video	
Compression Format	H.264 / MJPEG
Image Resolution	Main stream: 960p Secondary stream: D1
Frame Rate	Main stream: 960p@60fps Secondary stream: D1@30fps
Bitrate	64kbps ~ 16Mbps
Bitrate Control	VBR / CBR
Multi Streams	Support
Caption	Date&Time / Alarm / Customized groups (Support up to 64 characters)
Privacy Masking	Up to 4 zones
Motion Detection	Up to 4 zones
Video Freeze	Support
Digital Noise Reduction	3D noise reduction
Image Flip	Flip / Mirror / Rotation 90°, 180°, 270°
Audio	
Compression Format	G.711a / G.711u / ADPCM / G.722 / AAC-LC
Bitrate	32kbps ~ 64kbps
Audio Function	Bi-directional audio / AEC / Mixed audio recording / Dumb / Mute
Network	
Network Protocol	TCP/IP, UDP, HTTP, DHCP, DNS/DDNS, RTP/RTCP, RTSP, PPPoE, FTP, VSIP
User Interface	IPC Control Client / Web IPC Control
Max. User Access	10 Users
Application Program	Onvif, GB/T 28181-2011, API
Alarm	
Alarm Triggers	Motion detection / Alarm input
Alarm Events	Alarm caption / Snapshot / External output
Interfaces	
Ethernet	10/100M, RJ45 interface
Audio In / Out	1 x Line in / 1 x Line out
Control	1 x RS485
Alarm In / Out	3 x Input / 1 x Output
Video Out	1 x BNC, 1.0V [p-p] / 75Ω
Memory Slot	TF card slot, support 32GB
Environmental	
Operating Temperature	-30°C ~ 60°C / -22°F ~ 140°F
Operating Humidity	10% ~ 95%
Protection Level	IK10+ @50J, IP67
Electrical	
Power	12V DC ± 10% / PoE (IEEE802.3af)
Power Consumption	Max. 10W
Mechanical	
Weight	1Kg / 2.2lb (Gross Weight)
Dimensions	Φ155.9 × 125.9mm / Φ6.14" × 4.96"



IPC2131-DN-IR

1.3MP Ultra WDR HD Network Vandal-Proof Varifocal IR Semi Dome



Features

Excellent Image Quality

- 1.3 Megapixel 1/3" Progressive Scan CMOS Sensor
- High definition and smooth picture, 960p@60fps
- H.264 high profile video codec, save up to 30% bandwidth and storage
- Low illumination, 0.01Lux with color picture
- 120dB Ultra WDR
- 3D noise reduction / Auto Iris

Vandal-Proof

- Above IK10 @ 50J collision energy

Integrated High Efficiency IR

- Industrial IR LED with long operation lifespan
- 20 ~ 40m IR distance
- SMART IR function

Variety of Installation Application

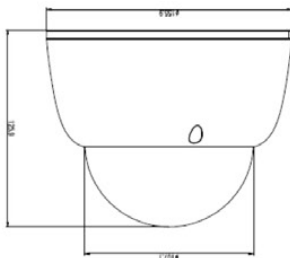
- Support image rotation 90°, 180°, 270°
- Varifocal lens (Manual / Motorized)

Abundant Functions and Features

- TF card slot, support Automatic Network Replenishment (ANR)
- Up to 4 multi streams
- Bi-directional audio / alarm in&out / video out / RS485
- One click auto focus (-IR2 only)
- PoE
- IP67

Dimensions

Units: mm



Specifications

IPC2131-DN(-IR1, -IR2)	
Camera	
Image Sensor	1/3" Progressive Scan CMOS
Pixels	1.3 Megapixel
Min. Illumination	Color: 0.01Lux @ (F1.2, AGC ON) B/W: 0Lux with IR
Shutter Speed	1/10 ~ 1/10,000S
Day / Night	Auto (ICR) / Color / B/W
Wide Dynamic Range	Ultra WDR, 120dB
S/N Ratio	>50dB
White Balance	Auto / Manual
Gain Control	Auto / Manual
Backlight Compensation	Off / BLC / WDR
Lens	
Mount Type	Φ14
Auto Iris	DC drive
Focal Length	-IR1: 2.7 ~ 9mm @ F1.2 manual varifocal lens -IR2: 2.7 ~ 9mm @ F1.2 motorized varifocal lens
Focus Control	-IR1: Manual -IR2: Manual / Semi-Automatic
Adjustment Range	Pan: 0° ~ 355° / Tilt: 0° ~ 75° / Rotation: 0° ~ 355°
Infrared	
IR LED	26pcs IR LED
IR Distance	20 ~ 40m
IR Intensity	SMART IR
Video	
Compression Format	H.264 / MJPEG
Image Resolution	Main stream: 960p Secondary stream: D1
Frame Rate	Main stream: 960p@60fps Secondary stream: D1@30fps
Bitrate	64kbps ~ 16Mbps
Bitrate Control	VBR / CBR
Multi Streams	Support
Caption	Date&Time / Alarm / Customized groups (Support up to 64 characters)
Privacy Masking	Up to 4 zones
Motion Detection	Up to 4 zones
Video Freeze	Support
Digital Noise Reduction	3D noise reduction
Image Flip	Flip / Mirror / Rotation 90°, 180°, 270°
Audio	
Compression Format	G.711a / G.711u / ADPCM / G.722 / AAC-LC
Bitrate	32kbps ~ 64kbps
Audio Function	Bi-directional audio / AEC / Mixed audio recording / Dumb / Mute
Network	
Network Protocol	TCP/IP, UDP, HTTP, DHCP, DNS/DDNS, RTP/RTCP, RTSP, PPPoE, FTP, VSIP
User Interface	IPC Control Client / Web IPC Control
Max. User Access	10 Users
Application Program	Onvif, GB/T 28181-2011, API
Alarm	
Alarm Triggers	Motion detection / Alarm input
Alarm Events	Alarm caption / Snapshot / External output
Interfaces	
Ethernet	10/100M, RJ45 interface
Audio In / Out	1 x Line in / 1 x Line out
Control	1 x RS485
Alarm In / Out	3 x Input / 1 x Output
Video Out	1 x BNC, 1.0V [p-p] / 75Ω
Memory Slot	TF card slot, support 32GB
Environmental	
Operating Temperature	-30°C ~ 60°C / -22°F ~ 140°F
Operating Humidity	10% ~ 95%
Protection Level	IK10+ @50J, IP67
Electrical	
Power	12V DC ± 10% / PoE (IEEE802.3af)
Power Consumption	Max. 10W
Mechanical	
Weight	1Kg / 2.2lb (Gross Weight)
Dimensions	Φ155.9 × 125.9mm / Φ6.14" x 4.96"



IPC2231-AN-L

2.0MP HD Network Vandal-Proof Semi Dome



Features

Excellent Image Quality

- 2.0 Megapixel 1/2.8" Progressive Scan CMOS Sensor
- High definition and smooth picture, 1080p@30fps
- H.264 high profile video codec, save up to 30% bandwidth and storage
- Low illumination, 0.05Lux with color picture
- WDR support / 3D noise reduction / Auto Iris (-L1, -L2 only)

Vandal-Proof

- Above IK10 @ 50J collision energy

Variety of Installation Application

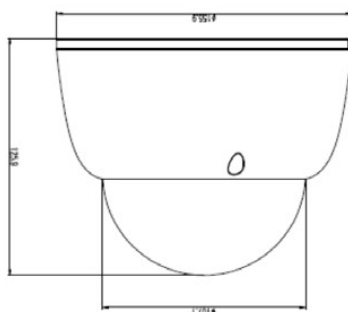
- Support image rotation 90°, 180°, 270°
- Varifocal lens (-L1, -L2 only)

Abundant Functions and Features

- TF card slot, support Automatic Network Replenishment (ANR)
- Dual streaming (1080p + D1)
- Bi-directional audio / alarm in&out / video out / RS485
- One click auto focus (-L2 only)
- PoE
- IP66

Dimensions

Units: mm



Specifications

	IPC2231-AN(-L1, -L2, -L3, -L4)
Camera	
Image Sensor	1/2.8" Progressive Scan CMOS
Pixels	2.0 Megapixel
Min. Illumination	Color: 0.05Lux @ (F1.2, AGC ON) B/W: 0.005Lux @ (F1.2, AGC ON)
Shutter Speed	1/10 ~ 1/10,000S
Day / Night	Auto (ICR) / Color / B/W
Wide Dynamic Range	Digital WDR
S/N Ratio	>50dB
White Balance	Auto / Manual
Gain Control	Auto / Manual
Backlight Compensation	Off / BLC / WDR
Lens	
Mount Type	-L1, -L2: Φ14 -L3: CS -L4: M12
Iris	-L1, -L2: Auto Iris (DC drive) -L3: Manual Iris -L4: Fixed Iris
Focal Length	-L1: 3.5 ~ 10mm @ F1.2 manual varifocal lens -L2: 3.5 ~ 10mm @ F1.2 motorized varifocal lens -L3: 2.2mm -L4: 2.0mm
Focus Control	-L1: Manual -L2: Manual / Semi-Automatic
Adjustment Range	Pan: 0° ~ 355° / Tilt: 0° ~ 75° / Rotation: 0° ~ 355°
Video	
Compression Format	H.264 / MJPEG
Image Resolution	Main stream: 1080p Secondary stream: D1
Frame Rate	Main stream: 1080p@30fps Secondary stream: D1@30fps
Bitrate	64kbps ~ 8Mbps
Bitrate Control	VBR / CBR
Dual Streams	Support
Caption	Date&Time / Alarm / Customized groups (Support up to 64 characters)
Privacy Masking	Up to 4 zones
Motion Detection	Up to 4 zones
Video Freeze	Support
Digital Noise Reduction	3D noise reduction
Image Flip	Flip / Mirror / Rotation 90°, 180°, 270°
Audio	
Compression Format	G.711a / G.711u / ADPCM / G.722 / AAC-LC
Bitrate	32kbps ~ 64kbps
Audio Function	Bi-directional audio / AEC / Mixed audio recording / Dumb / Mute
Network	
Network Protocol	TCP/IP, UDP, HTTP, DHCP, DNS/DDNS, RTP/RTCP, RTSP, PPPoE, FTP, VSIP
User Interface	IPC Control Client / Web IPC Control
Max. User Access	10 Users
Application Program	Onvif, GB/T 28181-2011, API
Alarm	
Alarm Triggers	Motion detection / Alarm input
Alarm Events	Alarm caption / Snapshot / External output
Interfaces	
Ethernet	10/100M, RJ45 interface
Audio In / Out	1 x Line in / 1 x Line out
Control	1 x RS485
Alarm In / Out	1 x Input / 1 x Output
Video Out	1 x BNC, 1.0V [p-p] / 75Ω
Memory Slot	TF card slot, support 32GB
Environmental	
Operating Temperature	-30°C ~ 60°C / -22°F ~ 140°F
Operating Humidity	10% ~ 95%
Protection Level	IK10+ @50J, IP66
Electrical	
Power	12V DC ± 10% / PoE (IEEE802.3af)
Power Consumption	Max. 11W
Mechanical	
Weight	1Kg / 2.2lb (Gross Weight)
Dimensions	Φ155.9 × 125.9mm / Φ6.14" × 4.96"



IPC2231-AN-IR

2.0MP HD Network Vandal-Proof Varifocal IR Semi Dome



Features

Excellent Image Quality

- 2.0 Megapixel 1/2.8" Progressive Scan CMOS Sensor
- High definition and smooth picture, 1080p@30fps
- H.264 high profile video codec, save up to 30% bandwidth and storage
- Low illumination, 0.05Lux with color picture
- WDR support / 3D noise reduction / Auto Iris

Vandal-Proof

- Above IK10 @ 50J collision energy

Integrated High Efficiency IR

- Industrial IR LED with long operation lifespan
- 20 ~ 40m IR distance
- SMART IR function

Variety of Installation Application

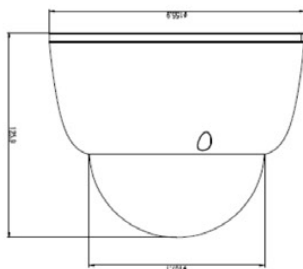
- Support image rotation 90°, 180°, 270°
- Varifocal lens (Manual / Motorized)

Abundant Functions and Features

- TF card slot, support Automatic Network Replenishment (ANR)
- Dual streaming (1080p + D1)
- Bi-directional audio / alarm in&out / video out / RS485
- One click auto focus (-IR2 only)
- PoE
- IP66

Dimensions

Units: mm



Specifications

	IPC2231-AN(-IR1, -IR2)
Camera	
Image Sensor	1/2.8" Progressive Scan CMOS
Pixels	2.0 Megapixel
Min. Illumination	Color: 0.05Lux @ (F1.2, AGC ON) B/W: 0Lux with IR
Shutter Speed	1/10 ~ 1/10,000S
Day / Night	Auto (ICR) / Color / B/W
Wide Dynamic Range	Digital WDR
S/N Ratio	>50dB
White Balance	Auto / Manual
Gain Control	Auto / Manual
Backlight Compensation	Off / BLC / WDR
Lens	
Mount Type	Φ14
Auto Iris	DC drive
Focal Length	-IR1: 3.5 ~ 10mm @ F1.2 manual varifocal lens -IR2: 3.5 ~ 10mm @ F1.2 motorized varifocal lens
Focus Control	-IR1: Manual -IR2: Manual / Semi-Automatic
Adjustment Range	Pan: 0° ~ 355° / Tilt: 0° ~ 75° / Rotation: 0° ~ 355°
Infrared	
IR LED	26pcs IR LED
IR Distance	20 ~ 40m
IR Intensity	SMART IR
Video	
Compression Format	H.264 / MJPEG
Image Resolution	Main stream: 1080p Secondary stream: D1
Frame Rate	Main stream: 1080p@30fps Secondary stream: D1@30fps
Bitrate	64kbps ~ 8Mbps
Bitrate Control	VBR / CBR
Dual Streams	Support
Caption	Date&Time / Alarm / Customized groups (Support up to 64 characters)
Privacy Masking	Up to 4 zones
Motion Detection	Up to 4 zones
Video Freeze	Support
Digital Noise Reduction	3D noise reduction
Image Flip	Flip / Mirror / Rotation 90°, 180°, 270°
Audio	
Compression Format	G.711a / G.711u / ADPCM / G.722 / AAC-LC
Bitrate	32kbps ~ 64kbps
Audio Function	Bi-directional audio / AEC / Mixed audio recording / Dumb / Mute
Network	
Network Protocol	TCP/IP, UDP, HTTP, DHCP, DNS/DDNS, RTP/RTCP, RTSP, PPPoE, FTP, VSIP
User Interface	IPC Control Client / Web IPC Control
Max. User Access	10 Users
Application Program	Onvif, GB/T 28181-2011, API
Alarm	
Alarm Triggers	Motion detection / Alarm input
Alarm Events	Alarm caption / Snapshot / External output
Interfaces	
Ethernet	10/100M, RJ45 interface
Audio In / Out	1 x Line in / 1 x Line out
Control	1 x RS485
Alarm In / Out	1 x Input / 1 x Output
Video Out	1 x BNC, 1.0V [p-p] / 75Ω
Memory Slot	TF card slot, support 32GB
Environmental	
Operating Temperature	-30°C ~ 60°C / -22°F ~ 140°F
Operating Humidity	10% ~ 95%
Protection Level	IK10+ @50J, IP66
Electrical	
Power	12V DC ± 10% / PoE (IEEE802.3af)
Power Consumption	Max. 11W
Mechanical	
Weight	1Kg / 2.2lb (Gross Weight)
Dimensions	Φ155.9 × 125.9mm / Φ6.14" × 4.96"



IPC2231-DN-L

2.0MP Ultra WDR HD Network Vandal-Proof Semi Dome



Features

Excellent Image Quality

- 2.0 Megapixel 1/3" Progressive Scan CMOS Sensor
- High definition and smooth picture, 1080p@60fps
- H.264 high profile video codec, save up to 30% bandwidth and storage
- Low illumination, 0.05Lux with color picture
- 120dB Ultra WDR
- 3D noise reduction / Auto Iris (-L1, -L2 only)

Vandal-Proof

- Above IK10 @ 50J collision energy

Variety of Installation Application

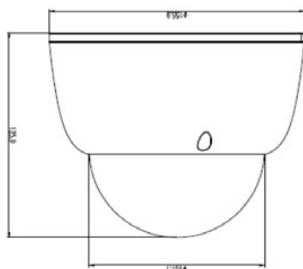
- Support image rotation 90°, 180°, 270°
- Varifocal lens (-L1, -L2 only)

Abundant Functions and Features

- TF card slot, support Automatic Network Replenishment (ANR)
- Up to 4 multi streams
- Bi-directional audio / alarm in/out / video out / RS485
- One click auto focus (-L2 only)
- PoE
- IP66

Dimensions

Units: mm



Specifications

	IPC2231-DN(-L1, -L2, -L3, -L4)
Camera	
Image Sensor	1/3" Progressive Scan CMOS
Pixels	2.0 Megapixel
Min. Illumination	Color: 0.05Lux @ (F1.2, AGC ON) B/W: 0.005Lux @ (F1.2, AGC ON)
Shutter Speed	1/10 ~ 1/10,000S
Day / Night	Auto (ICR) / Color / B/W
Wide Dynamic Range	Ultra WDR, 120dB
S/N Ratio	>50dB
White Balance	Auto / Manual
Gain Control	Auto / Manual
Backlight Compensation	Off / BLC / WDR
Lens	
Mount Type	-L1, -L2: Φ14 -L3: CS -L4: M12
Iris	-L1, -L2: Auto Iris (DC drive) -L3: Manual Iris -L4: Fixed Iris
Focal Length	-L1: 2.7 ~ 9mm @ F1.2 manual varifocal lens -L2: 2.7 ~ 9mm @ F1.2 motorized varifocal lens -L3: 2.2mm -L4: 2.0mm
Focus Control	-L1: Manual -L2: Manual / Semi-Automatic
Adjustment Range	Pan: 0° ~ 355° / Tilt: 0° ~ 75° / Rotation: 0° ~ 355°
Video	
Compression Format	H.264 / MJPEG
Image Resolution	Main stream: 1080p Secondary stream: D1
Frame Rate	Main stream: 1080p@60fps Secondary stream: D1@30fps
Bitrate	64kbps ~ 16Mbps
Bitrate Control	VBR / CBR
Multi Streams	Support
Caption	Date&Time / Alarm / Customized groups (Support up to 64 characters)
Privacy Masking	Up to 4 zones
Motion Detection	Up to 4 zones
Video Freeze	Support
Digital Noise Reduction	3D noise reduction
Image Flip	Flip / Mirror / Rotation 90°, 180°, 270°
Audio	
Compression Format	G.711a / G.711u / ADPCM / G.722 / AAC-LC
Bitrate	32kbps ~ 64kbps
Audio Function	Bi-directional audio / AEC / Mixed audio recording / Dumb / Mute
Network	
Network Protocol	TCP/IP, UDP, HTTP, DHCP, DNS/DDNS, RTP/RTCP, RTSP, PPPoE, FTP, VSIP
User Interface	IPC Control Client / Web IPC Control
Max. User Access	10 Users
Application Program	Onvif, GB/T 28181-2011, API
Alarm	
Alarm Triggers	Motion detection / Alarm input
Alarm Events	Alarm caption / Snapshot / External output
Interfaces	
Ethernet	10/100M, RJ45 interface
Audio In / Out	1 x Line in / 1 x Line out
Control	1 x RS485
Alarm In / Out	3 x Input / 1 x Output
Video Out	1 x BNC, 1.0V [p-p] / 75Ω
Memory Slot	TF card slot, support 32GB
Environmental	
Operating Temperature	-30°C ~ 60°C / -22°F ~ 140°F
Operating Humidity	10% ~ 95%
Protection Level	IK10+ @50J, IP66
Electrical	
Power	12V DC ± 10% / PoE (IEEE802.3af)
Power Consumption	Max. 11W
Mechanical	
Weight	1Kg / 2.2lb (Gross Weight)
Dimensions	Φ155.9 × 125.9mm / Φ6.14" × 4.96"



IPC2231-DN-IR

2.0MP Ultra WDR HD Network Vandal-Proof Varifocal IR Semi Dome



Features

Excellent Image Quality

- 2.0 Megapixel 1/3" Progressive Scan CMOS Sensor
- High definition and smooth picture, 1080p@60fps
- H.264 high profile video codec, save up to 30% bandwidth and storage
- Low illumination, 0.05Lux with color picture
- 120dB Ultra WDR
- 3D noise reduction / Auto Iris

Vandal-Proof

- Above IK10 @ 50J collision energy

Integrated High Efficiency IR

- Industrial IR LED with long operation lifespan
- 20 ~ 40m IR distance
- SMART IR function

Variety of Installation Application

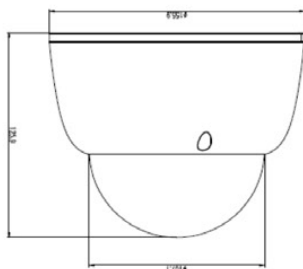
- Support image rotation 90°, 180°, 270°
- Varifocal lens (Manual / Motorized)

Abundant Functions and Features

- TF card slot, support Automatic Network Replenishment (ANR)
- Up to 4 multi streams
- Bi-directional audio / alarm in&out / video out / RS485
- One click auto focus (-IR2 only)
- PoE
- IP66

Dimensions

Units: mm



Specifications

	IPC2231-DN(-IR1, -IR2)
Camera	
Image Sensor	1/3" Progressive Scan CMOS
Pixels	2.0 Megapixel
Min. Illumination	Color: 0.05Lux @ (F1.2, AGC ON)
Shutter Speed	B/W: 0Lux with IR
Day / Night	1/10 ~ 1/10,000S
Wide Dynamic Range	Auto (ICR) / Color / B/W
S/N Ratio	Ultra WDR, 120dB
White Balance	>50dB
Gain Control	Auto / Manual
Backlight Compensation	Auto / Manual
Lens	Off / BLC / WDR
Mount Type	Φ14
Auto Iris	DC drive
Focal Length	-IR1: 2.7 ~ 9mm @ F1.2 manual varifocal lens -IR2: 2.7 ~ 9mm @ F1.2 motorized varifocal lens
Focus Control	-IR1: Manual -IR2: Manual / Semi-Automatic
Adjustment Range	Pan: 0° ~ 355° / Tilt: 0° ~ 75° / Rotation: 0° ~ 355°
Infrared	
IR LED	26pcs IR LED
IR Distance	20 ~ 40m
IR Intensity	SMART IR
Video	
Compression Format	H.264 / MJPEG
Image Resolution	Main stream: 1080p Secondary stream: D1
Frame Rate	Main stream: 1080p@60fps Secondary stream: D1@30fps
Bitrate	64kbps ~ 16Mbps
Bitrate Control	VBR / CBR
Multi Streams	Support
Caption	Date&Time / Alarm / Customized groups (Support up to 64 characters)
Privacy Masking	Up to 4 zones
Motion Detection	Up to 4 zones
Video Freeze	Support
Digital Noise Reduction	3D noise reduction
Image Flip	Flip / Mirror / Rotation 90°, 180°, 270°
Audio	
Compression Format	G.711a / G.711u / ADPCM / G.722 / AAC-LC
Bitrate	32kbps ~ 64kbps
Audio Function	Bi-directional audio / AEC / Mixed audio recording / Dumb / Mute
Network	
Network Protocol	TCP/IP, UDP, HTTP, DHCP, DNS/DDNS, RTP/RTCP, RTSP, PPPoE, FTP, VSIP
User Interface	IPC Control Client / Web IPC Control
Max. User Access	10 Users
Application Program	Onvif, GB/T 28181-2011, API
Alarm	
Alarm Triggers	Motion detection / Alarm input
Alarm Events	Alarm caption / Snapshot / External output
Interfaces	
Ethernet	10/100M, RJ45 interface
Audio In / Out	1 x Line in / 1 x Line out
Control	1 x RS485
Alarm In / Out	3 x Input / 1 x Output
Video Out	1 x BNC, 1.0V [p-p] / 75Ω
Memory Slot	TF card slot, support 32GB
Environmental	
Operating Temperature	-30°C ~ 60°C / -22°F ~ 140°F
Operating Humidity	10% ~ 95%
Protection Level	IK10+ @50J, IP66
Electrical	
Power	12V DC ± 10% / PoE (IEEE802.3af)
Power Consumption	Max. 11W
Mechanical	
Weight	1Kg / 2.2lb (Gross Weight)
Dimensions	Φ155.9 × 125.9mm / Φ6.14" × 4.96"



IPC2231-EN-L

2.0MP Starlight HD Network Vandal-Proof Varifocal IR Semi Dome



Features

Excellent Image Quality

- 2.0 Megapixel 1/1.9" Progressive Scan CMOS Sensor
- High definition and smooth picture, 1080p@60fps
- H.264 high profile video codec, save up to 30% bandwidth and storage
- Ultra low illumination, 0.002Lux with color picture
- WDR support / 3D noise reduction

Vandal-Proof

- Above IK10 @ 50J collision energy

Variety of Installation Application

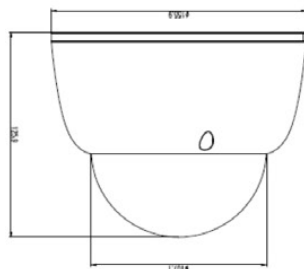
- Support image rotation 90°, 180°, 270°

Abundant Functions and Features

- TF card slot, support Automatic Network Replenishment (ANR)
- Up to 4 multi streams
- Bi-directional audio / alarm in&out / video out / RS485
- PoE
- IP66

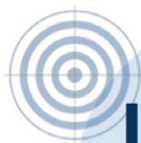
Dimensions

Units: mm



Specifications

IPC2231-EN-L3	
Camera	
Image Sensor	1/1.9" Progressive Scan CMOS
Pixels	2.0 Megapixel
Min. Illumination	Color: 0.002Lux @ (F1.8, AGC ON) B/W: 0.0002Lux @ (F1.8, AGC ON)
Shutter Speed	1/10 ~ 1/10,000S
Day / Night	Auto (ICR) / Color / B/W
Wide Dynamic Range	Digital WDR
S/N Ratio	>50dB
White Balance	Auto / Manual
Gain Control	Auto / Manual
Backlight Compensation	Off / BLC / WDR
Lens	
Mount Type	M12
Focal Length	2.95mm
Adjustment Range	Pan: 0° ~ 355° / Tilt: 0° ~ 75° / Rotation: 0° ~ 355°
Video	
Compression Format	H.264 / MJPEG
Image Resolution	Main stream: 1080p Secondary stream: D1
Frame Rate	Main stream: 1080p@60fps Secondary stream: D1@30fps
Bitrate	64kbps ~ 16Mbps
Bitrate Control	VBR / CBR
Multi Streams	Support
Caption	Date&Time / Alarm / Customized groups (Support up to 64 characters)
Privacy Masking	Up to 4 zones
Motion Detection	Up to 4 zones
Video Freeze	Support
Digital Noise Reduction	3D noise reduction
Image Flip	Flip / Mirror / Rotation 90°, 180°, 270°
Audio	
Compression Format	G.711a / G.711u / ADPCM / G.722 / AAC-LC
Bitrate	32kbps ~ 64kbps
Audio Function	Bi-directional audio / AEC / Mixed audio recording / Dumb / Mute
Network	
Network Protocol	TCP/IP, UDP, HTTP, DHCP, DNS/DDNS, RTP/RTCP, RTSP, PPPoE, FTP, VSIP
User Interface	IPC Control Client / Web IPC Control
Max. User Access	10 Users
Application Program	Onvif, GB/T 28181-2011, API
Alarm	
Alarm Triggers	Motion detection / Alarm input
Alarm Events	Alarm caption / Snapshot / External output
Interfaces	
Ethernet	10/100M, RJ45 interface
Audio In / Out	1 x Line in / 1 x Line out
Control	1 x RS485
Alarm In / Out	3 x Input / 1 x Output
Video Out	1 x BNC, 1.0V [p-p] / 75Ω
Memory Slot	TF card slot, support 32GB
Environmental	
Operating Temperature	-30°C ~ 60°C / -22°F ~ 140°F
Operating Humidity	10% ~ 95%
Protection Level	IK10+ @50J, IP66
Electrical	
Power	12V DC ± 10% / PoE (IEEE802.3af)
Power Consumption	Max. 11W
Mechanical	
Weight	1Kg / 2.2lb (Gross Weight)
Dimensions	Φ155.9 × 125.9mm / Φ6.14" × 4.96"



IPC2232-AN-DL

2.0MP HD Network Vandal-Proof Semi Dome



Features

Excellent Image Quality

- 2.0 Megapixel 1/2.8" Progressive Scan CMOS Sensor
- High definition and smooth picture, 1080p@30fps
- H.264 high profile video codec, save up to 30% bandwidth and storage
- Low illumination, 0.05Lux with color picture
- WDR support / 3D noise reduction / Auto Iris (-DL1 only)

Vandal-Proof

- Above IK10 @ 50J collision energy

Variety of Installation Application

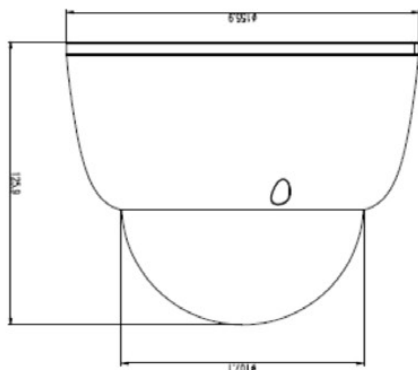
- Support image rotation 90°, 180°, 270°
- Varifocal lens (-DL1 only)

Abundant Functions and Features

- TF card slot, support Automatic Network Replenishment (ANR)
- Dual streaming (1080p + D1)
- Bi-directional audio / alarm in&out / RS485

Dimensions

Units: mm



Specifications

IPC2232-AN(-DL1, -DL3, -DL4)	
Camera	
Image Sensor	1/2.8" Progressive Scan CMOS
Pixels	2.0 Megapixel
Min. Illumination	Color: 0.05Lux @ (F1.6, AGC ON) B/W: 0.005Lux @ (F1.6, AGC ON)
Shutter Speed	1/10 ~ 1/10,000S
Day / Night	Auto (ICR) / Color / B/W
Wide Dynamic Range	Digital WDR
S/N Ratio	>50dB
White Balance	Auto / Manual
Gain Control	Auto / Manual
Backlight Compensation	Off / BLC / WDR
Lens	
Mount Type	-DL1: Φ14 -DL3, DL4: M12
Iris	-DL1: Auto Iris (DC drive) -DL3, DL4: Fixed Iris
Focal Length	-DL1: 2.8 ~ 12mm @ F1.6 manual varifocal lens -DL3: 2.8mm -DL4: 2.1mm
Adjustment Range	Pan: 0° ~ 355° / Tilt: 0° ~ 75° / Rotation: 0° ~ 355°
Video	
Compression Format	H.264 / MJPEG
Image Resolution	Main stream: 1080p Secondary stream: D1
Frame Rate	Main stream: 1080p@30fps Secondary stream: D1@30fps
Bitrate	64kbps ~ 8Mbps
Bitrate Control	VBR / CBR
Dual Streams	Support
Caption	Date&Time / Alarm / Customized groups (Support up to 64 characters)
Privacy Masking	Up to 4 zones
Motion Detection	Up to 4 zones
Video Freeze	Support
Digital Noise Reduction	3D noise reduction
Image Flip	Flip / Mirror / Rotation 90°, 180°, 270°
Audio	
Compression Format	G.711a / G.711u / ADPCM / G.722 / AAC-LC
Bitrate	32kbps ~ 64kbps
Audio Function	Bi-directional audio / AEC / Mixed audio recording / Dumb / Mute
Network	
Network Protocol	TCP/IP, UDP, HTTP, DHCP, DNS/DDNS, RTP/RTCP, RTSP, PPPoE, FTP, VSIP
User Interface	IPC Control Client / Web IPC Control
Max. User Access	10 Users
Application Program	Onvif, GB/T 28181-2011, API
Alarm	
Alarm Triggers	Motion detection / Alarm input
Alarm Events	Alarm caption / Snapshot / External output
Interfaces	
Ethernet	10/100M, RJ45 interface
Audio In / Out	1 x Line in / 1 x Line out
Control	1 x RS485
Alarm In / Out	1 x Input / 1 x Output
Memory Slot	TF card slot, support 32GB
Environmental	
Operating Temperature	-30°C ~ 60°C / -22°F ~ 140°F
Operating Humidity	10% ~ 95%
Protection Level	IK10+ @50J
Electrical	
Power	12V DC ± 10%
Power Consumption	Max. 11W
Mechanical	
Weight	1Kg / 2.2lb (Gross Weight)
Dimensions	Φ155.9 × 125.9mm / Φ6.14" × 4.96"



IPC2132-AN-DIR

1.3MP HD Network Vandal-Proof IR Semi Dome



Features

Excellent Image Quality

- 1.3 Megapixel 1/3" Progressive Scan CMOS Sensor
- High definition and smooth picture, 960p@30fps
- H.264 high profile video codec, save up to 30% bandwidth and storage
- Low illumination, 0.01Lux with color picture
- WDR support / 3D noise reduction / Auto Iris (-DIR1 only)

Vandal-Proof

- Above IK10 @ 50J collision energy

Integrated High Efficiency IR

- Industrial IR LED with long operation lifespan
- 20 ~ 40m IR distance
- SMART IR function

Variety of Installation Application

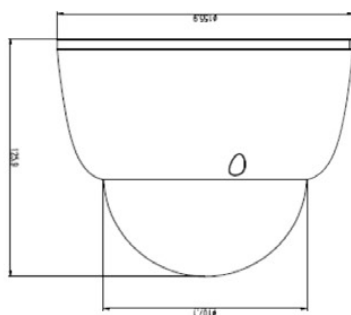
- Support image rotation 90°, 180°, 270°
- Varifocal lens (-DIR1 only)

Abundant Functions and Features

- TF card slot, support Automatic Network Replenishment (ANR)
- Dual streaming (960p + D1)
- Bi-directional audio / alarm in/out / RS485
- IP67 (-DIR3 only)

Dimensions

Units: mm



Specifications

	IPC2132-AN(-DIR1, -DIR3)
Camera	
Image Sensor	1/3" Progressive Scan CMOS
Pixels	1.3 Megapixel
Min. Illumination	Color: 0.01Lux @ (F1.6, AGC ON) B/W: 0Lux with IR
Shutter Speed	1/10 ~ 1/10,000S
Day / Night	Auto (ICR) / Color / B/W
Wide Dynamic Range	Digital WDR
S/N Ratio	>50dB
White Balance	Auto / Manual
Gain Control	Auto / Manual
Backlight Compensation	Off / BLC / WDR
Lens	
Mount Type	-DIR1: Φ14 -DIR3: M12
Iris	-DIR1: Auto Iris (DC drive) -DIR3: Fixed Iris
Focal Length	-DIR1: 2.8 ~ 12mm @ F1.6 manual varifocal lens -DIR3: 2.8mm
Adjustment Range	Pan: 0° ~ 355° / Tilt: 0° ~ 75° / Rotation: 0° ~ 355°
Infrared	
IR LED	26pcs IR LED
IR Distance	20 ~ 40m
IR Intensity	SMART IR
Video	
Compression Format	H.264 / MJPEG
Image Resolution	Main stream: 960p Secondary stream: D1
Frame Rate	Main stream: 960p@30fps Secondary stream: D1@30fps
Bitrate	64kbps ~ 8Mbps
Bitrate Control	VBR / CBR
Dual Streams	Support
Caption	Date&Time / Alarm / Customized groups (Support up to 64 characters)
Privacy Masking	Up to 4 zones
Motion Detection	Up to 4 zones
Video Freeze	Support
Digital Noise Reduction	3D noise reduction
Image Flip	Flip / Mirror / Rotation 90°, 180°, 270°
Audio	
Compression Format	G.711a / G.711u / ADPCM / G.722 / AAC-LC
Bitrate	32kbps ~ 64kbps
Audio Function	Bi-directional audio / AEC / Mixed audio recording / Dumb / Mute
Network	
Network Protocol	TCP/IP, UDP, HTTP, DHCP, DNS/DDNS, RTP/RTCP, RTSP, PPPoE, FTP, VSIP
User Interface	IPC Control Client / Web IPC Control
Max. User Access	10 Users
Application Program	Onvif, GB/T 28181-2011, API
Alarm	
Alarm Triggers	Motion detection / Alarm input
Alarm Events	Alarm caption / Snapshot / External output
Interfaces	
Ethernet	10/100M, RJ45 interface
Audio In / Out	1 x Line in / 1 x Line out
Control	1 x RS485
Alarm In / Out	1 x Input / 1 x Output
Memory Slot	TF card slot, support 32GB
Environmental	
Operating Temperature	-30°C ~ 60°C / -22°F ~ 140°F
Operating Humidity	10% ~ 95%
Protection Level	IK10+ @50J, IP67 (-DIR3 only)
Electrical	
Power	12V DC ± 10%
Power Consumption	Max. 10W
Mechanical	
Weight	1Kg / 2.2lb (Gross Weight)
Dimensions	Φ155.9 × 125.9mm / Φ6.14" × 4.96"



IPC2232-AN-DL

2.0MP HD Network Vandal-Proof Semi Dome



Features

Excellent Image Quality

- 2.0 Megapixel 1/2.8" Progressive Scan CMOS Sensor
- High definition and smooth picture, 1080p@30fps
- H.264 high profile video codec, save up to 30% bandwidth and storage
- Low illumination, 0.05Lux with color picture
- WDR support / 3D noise reduction / Auto Iris (-DL1 only)

Vandal-Proof

- Above IK10 @ 50J collision energy

Variety of Installation Application

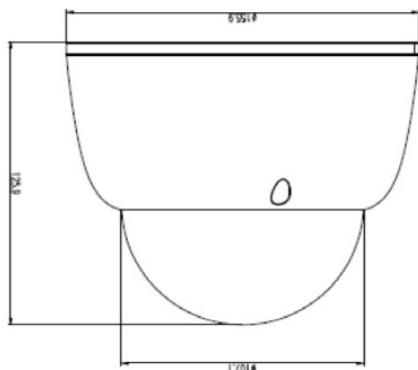
- Support image rotation 90°, 180°, 270°
- Varifocal lens (-DL1 only)

Abundant Functions and Features

- TF card slot, support Automatic Network Replenishment (ANR)
- Dual streaming (1080p + D1)
- Bi-directional audio / alarm in&out / RS485

Dimensions

Units: mm



Specifications

IPC2232-AN(-DL1, -DL3, -DL4)	
Camera	
Image Sensor	1/2.8" Progressive Scan CMOS
Pixels	2.0 Megapixel
Min. Illumination	Color: 0.05Lux @ (F1.6, AGC ON) B/W: 0.005Lux @ (F1.6, AGC ON)
Shutter Speed	1/10 ~ 1/10,000S
Day / Night	Auto (ICR) / Color / B/W
Wide Dynamic Range	Digital WDR
S/N Ratio	>50dB
White Balance	Auto / Manual
Gain Control	Auto / Manual
Backlight Compensation	Off / BLC / WDR
Lens	
Mount Type	-DL1: Φ14 -DL3, DL4: M12
Iris	-DL1: Auto Iris (DC drive) -DL3, DL4: Fixed Iris
Focal Length	-DL1: 2.8 ~ 12mm @ F1.6 manual varifocal lens -DL3: 2.8mm -DL4: 2.1mm
Adjustment Range	Pan: 0° ~ 355° / Tilt: 0° ~ 75° / Rotation: 0° ~ 355°
Video	
Compression Format	H.264 / MJPEG
Image Resolution	Main stream: 1080p Secondary stream: D1
Frame Rate	Main stream: 1080p@30fps Secondary stream: D1@30fps
Bitrate	64kbps ~ 8Mbps
Bitrate Control	VBR / CBR
Dual Streams	Support
Caption	Date&Time / Alarm / Customized groups (Support up to 64 characters)
Privacy Masking	Up to 4 zones
Motion Detection	Up to 4 zones
Video Freeze	Support
Digital Noise Reduction	3D noise reduction
Image Flip	Flip / Mirror / Rotation 90°, 180°, 270°
Audio	
Compression Format	G.711a / G.711u / ADPCM / G.722 / AAC-LC
Bitrate	32kbps ~ 64kbps
Audio Function	Bi-directional audio / AEC / Mixed audio recording / Dumb / Mute
Network	
Network Protocol	TCP/IP, UDP, HTTP, DHCP, DNS/DDNS, RTP/RTCP, RTSP, PPPoE, FTP, VSIP
User Interface	IPC Control Client / Web IPC Control
Max. User Access	10 Users
Application Program	Onvif, GB/T 28181-2011, API
Alarm	
Alarm Triggers	Motion detection / Alarm input
Alarm Events	Alarm caption / Snapshot / External output
Interfaces	
Ethernet	10/100M, RJ45 interface
Audio In / Out	1 x Line in / 1 x Line out
Control	1 x RS485
Alarm In / Out	1 x Input / 1 x Output
Memory Slot	TF card slot, support 32GB
Environmental	
Operating Temperature	-30°C ~ 60°C / -22°F ~ 140°F
Operating Humidity	10% ~ 95%
Protection Level	IK10+ @50J
Electrical	
Power	12V DC ± 10%
Power Consumption	Max. 11W
Mechanical	
Weight	1Kg / 2.2lb (Gross Weight)
Dimensions	Φ155.9 × 125.9mm / Φ6.14" × 4.96"



IPC2232-AN-DIR

2.0MP HD Network Vandal-Proof IR Semi Dome



Features

Excellent Image Quality

- 2.0 Megapixel 1/2.8" Progressive Scan CMOS Sensor
- High definition and smooth picture, 1080p@30fps
- H.264 high profile video codec, save up to 30% bandwidth and storage
- Low illumination, 0.05Lux with color picture
- WDR support / 3D noise reduction / Auto Iris (-DIR1 only)

Vandal-Proof

- Above IK10 @ 50J collision energy
- Integrated High Efficiency IR
- Industrial IR LED with long operation lifespan
- 20 ~ 40m IR distance
- SMART IR function

Variety of Installation Application

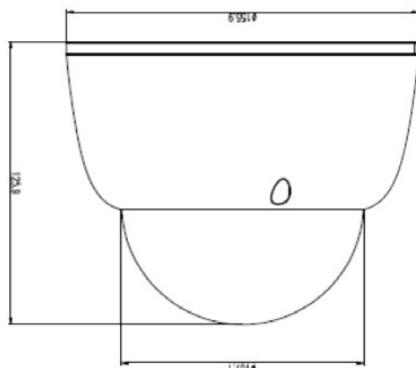
- Support image rotation 90°, 180°, 270°
- Varifocal lens (-DIR1 only)

Abundant Functions and Features

- TF card slot, support Automatic Network Replenishment (ANR)
- Dual streaming (1080p + D1)
- Bi-directional audio / alarm in&out / RS485
- IP67 (-DIR3 only)

Dimensions

Units: mm



Specifications

IPC2232-AN(-DIR1, -DIR3)	
Camera	
Image Sensor	1/2.8" Progressive Scan CMOS
Pixels	2.0 Megapixel
Min. Illumination	Color: 0.05Lux @ (F1.6, AGC ON)
Shutter Speed	B/W: 0Lux with IR 1/10 ~ 1/10,000S
Day / Night	Auto (ICR) / Color / B/W
Wide Dynamic Range	Digital WDR
S/N Ratio	>50dB
White Balance	Auto / Manual
Gain Control	Auto / Manual
Backlight Compensation	Off / BLC / WDR
Lens	
Mount Type	-DIR1: Φ14 -DIR3: M12
Iris	-DIR1: Auto Iris (DC drive) -DIR3: Fixed Iris
Focal Length	-DIR1: 2.8 ~ 12mm @ F1.6 manual varifocal lens -DIR3: 2.8mm
Adjustment Range	Pan: 0° ~ 355° / Tilt: 0° ~ 75° / Rotation: 0° ~ 355°
Infrared	
IR LED	26pcs IR LED
IR Distance	20 ~ 40m
IR Intensity	SMART IR
Video	
Compression Format	H.264 / MJPEG
Image Resolution	Main stream: 1080p Secondary stream: D1
Frame Rate	Main stream: 1080p@30fps Secondary stream: D1@30fps
Bitrate	64kbps ~ 8Mbps
Bitrate Control	VBR / CBR
Dual Streams	Support
Caption	Date&Time / Alarm / Customized groups (Support up to 64 characters)
Privacy Masking	Up to 4 zones
Motion Detection	Up to 4 zones
Video Freeze	Support
Digital Noise Reduction	3D noise reduction
Image Flip	Flip / Mirror / Rotation 90°, 180°, 270°
Audio	
Compression Format	G.711a / G.711u / ADPCM / G.722 / AAC-LC
Bitrate	32kbps ~ 64kbps
Audio Function	Bi-directional audio / AEC / Mixed audio recording / Dumb / Mute
Network	
Network Protocol	TCP/IP, UDP, HTTP, DHCP, DNS/DDNS, RTP/RTCP, RTSP, PPPoE, FTP, VSIP
User Interface	IPC Control Client / Web IPC Control
Max. User Access	10 Users
Application Program	Onvif, GB/T 28181-2011, API
Alarm	
Alarm Triggers	Motion detection / Alarm input
Alarm Events	Alarm caption / Snapshot / External output
Interfaces	
Ethernet	10/100M, RJ45 interface
Audio In / Out	1 x Line in / 1 x Line out
Control	1 x RS485
Alarm In / Out	1 x Input / 1 x Output
Memory Slot	TF card slot, support 32GB
Environmental	
Operating Temperature	-30°C ~ 60°C / -22°F ~ 140°F
Operating Humidity	10% ~ 95%
Protection Level	IK10+ @50J, IP67 (-DIR3 only)
Electrical	
Power	12V DC ± 10%
Power Consumption	Max. 11W
Mechanical	
Weight	1Kg / 2.2lb (Gross Weight)
Dimensions	Φ155.9 × 125.9mm / Φ6.14" × 4.96"